

**OPEL**  
**GT**  
**SOURCE**

**NEW Opel GT Parts and Accessories**  
*“Classic Catalog” Digital Download v1.0*



**1-800-673-5487**

Info: 1-209-928-1110 (International orders)  
Fax: 1-209-928-3298 (1-209-928-FAXT)

Internet: [www.opelgtsource.com](http://www.opelgtsource.com)  
E-mail: [OpelGTS@OpelGTSource.com](mailto:OpelGTS@OpelGTSource.com)

**Open Monday through Friday 8 a.m. - 5 p.m. Pacific Time (Except Holidays)**

Mailing Address: P.O. Box 4004, Sonora, CA 95370-4004  
UPS Address: 18211 Zeni Lane, Tuolumne, CA 95379



## Purchasing with Confidence from OPEL GT SOURCE

Dear Opel Owner:

As your eyes travel this catalog, you'll benefit from: What you need to know to keep your Opel looking good on the inside or out ... how to improve performance ... how to keep your dream alive and on the road. Opel GT Source is run by Opel Enthusiasts for Opel Enthusiasts.

- Confidence:** Rest assured in the confidence you are dealing with a company who has been in business for over 25 years.
- Knowledge:** We know Opel. Our knowledgeable staff repair and maintain their own Opels. Subsequently, we know what parts and procedures work. Something the local parts guy can't help you with.
- Convenience:** Online ordering is available 24 hours a day at [www.OpelGTSource.com](http://www.OpelGTSource.com) or by fax at (209) 928-3298. You may also order toll free and speak with one of our sales staff at 1 (800) 673-5487 Mon. - Fri. 8-5 Pacific. Canadian and International customers please dial 1 (209) 928-1110, Tech Inquires: Please email us.
- Pricing:** Our prices are definitely in-line with specialty retailers, plus we publish "how to" labor guides & price lists.
- Inventory:** We stock thousands of parts so that you can get the part you need for your Opel fast.
- Shipping:** We have a 'Same-Day' shipping policy (\*\*on orders received here by noon—some larger items are excepted).
- Credit/Debit:** We accept Visa/Master Card/American Express/Discover cards. We charge when parts are ready to ship.
- Security:** Your privacy is paramount. You can rest assured your information will not be sold to telemarketers.

**Toll Free Ordering Hours USA**  
1 (800) 673-5487

Monday - Friday  
8 a.m. to 5 p.m. Pacific  
9 a.m. to 6 p.m. Mountain  
10 a.m. to 7 p.m. Central  
11 a.m. to 8 p.m. Eastern



**FAX**

**Fax Ordering**  
1 (209) 928-3298

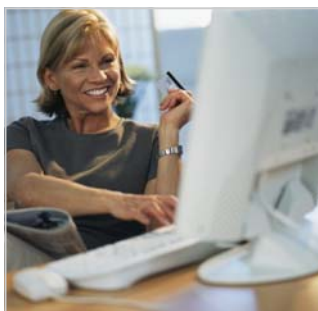


[opelgts@opelgtsource.com](mailto:opelgts@opelgtsource.com)

**Calling from Canada**  
1 (209) 928-1110

**International Ordering**  
001 209 928-1110

**Shop Online 24/7**



**Same-Day Shipping\*\***  
UPS or USPS



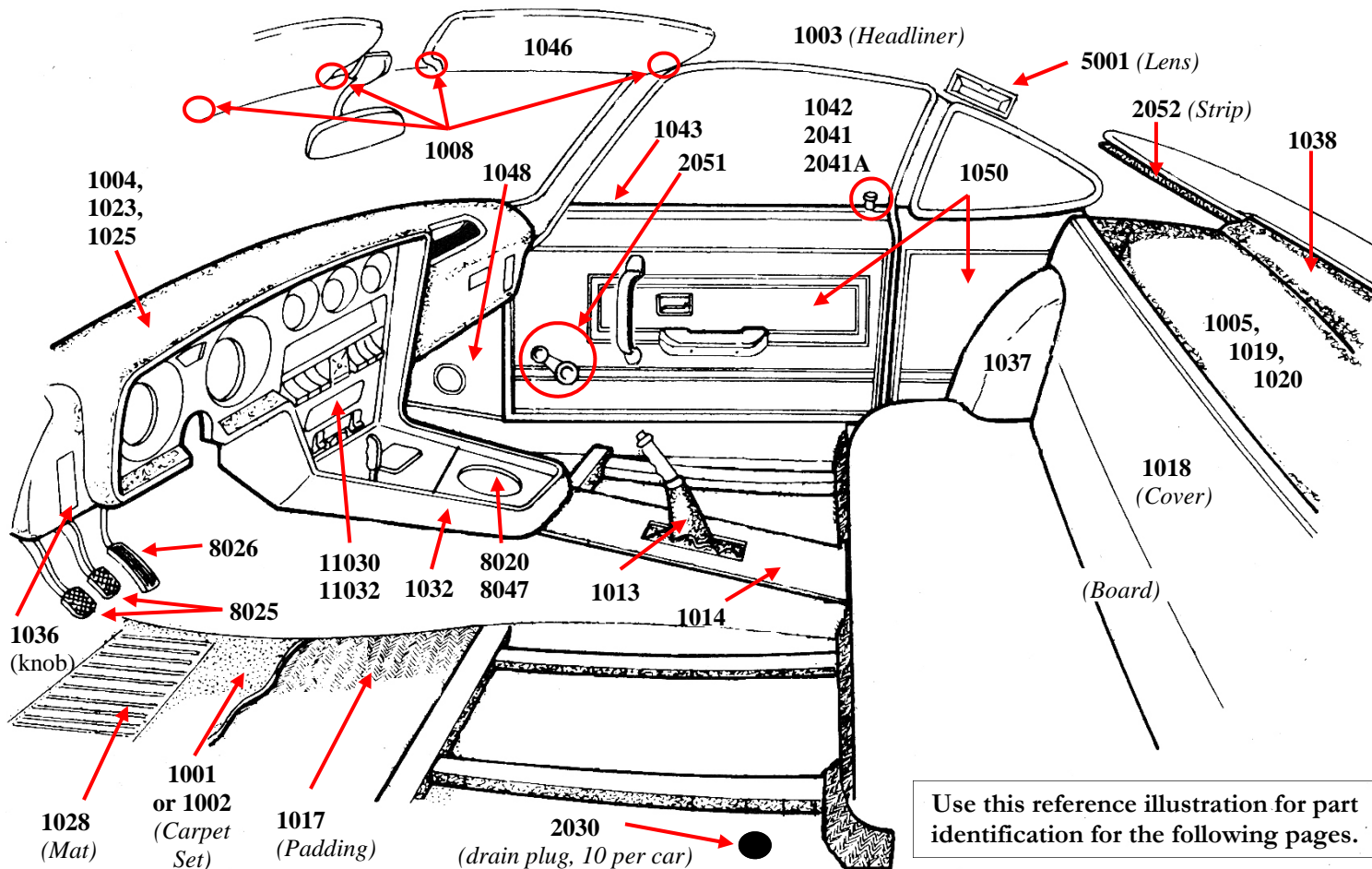
# OPEL



# ***INTERIOR***

*The interior of your GT is the place you'll be spending most of your time. You can make your experience pleasurable and quieter with new rubber seals and a long line of custom-designed accessories. Experience the luxury of new seats and wrap yourself with new modern seat belts. It's all possible with items from Opel GT Source.*





## CARPETS & FLOORMATS, GT, 1968 - 1973

### 1001 COMPLETE CARPET KIT, LOOP

Spruce up the interior of your GT with this high quality 15 piece carpet set. Includes every piece of carpet in a standard Opel GT. Standard color in stock is Black. Material is loop and is very similar to the original carpet. Also available in cut pile (part # 1002). Easy to install!



LOOP

### 1002 COMPLETE CARPET KIT, CUT PILE

Spruce up the interior of your GT with this high quality 15 piece carpet set. Includes every piece of carpet in a standard Opel GT. Standard color is black cut-pile.



CUT PILE

### 1014 CENTER REAR CONSOLE CARPET

For 1968 & many 1969 Opel GT's without the plastic center rear console.  
Colors: Black, Red & Tan.

### 1017 CARPET PADDING

Padding for under the carpet kit, must be cut to size. Helps reduce road noise and make the carpets feel more luxurious.

### 1028 HIGH GRADE FLOOR MATS

Custom cut to fit rigid floor mats, made of MBZ carpet, with a heavy rubber backing and vinyl edging. Helps to further reduce interior road noise. Color: Black, No Logo. Pair

### 2030 FLOOR PLUG

Round rubber floor drain plug. Eight floor plugs are located under the carpeted section of the GT. (Note: 10 total floor plugs are located in the GT).



CARPET PIECES

# GT INTERIOR PANEL PARTS, 1968 - 1973

1004

## 1003 HEADLINER, GT, Black

Headliner for GT. Material: vinyl. Color: Black.

## 1003 HEADLINER, GT, Tan, Off-White or Red

Headliner for GT. Material: vinyl.  
Colors: Red, Off-white & Tan.

## 1004 DASHMAT FRONT, GT

Protect your dash from the sun's damaging rays with this original Dash Mat © overlay. As work to reduce glare from the dash when driving into the sun.  
Stocking Colors: Black, Red and Tan. (Depicted to the right.)  
(Other colors may be special ordered)



## 1005 DASHMAT REAR, GT

Protect your rear package tray and speaker/s from the sun's damaging rays with this original Dash Mat © overlay.  
Reduce rear vision glare while driving.  
Stocking Colors: Black, Red & Tan. (Other colors may be special ordered)

## 1013 PARKING BRAKE BOOT

Made of vinyl. A replica of the original. Color: Black, Red & Tan.

## 1018 SPARE TIRE COVER, VINYL

Cover which hangs over the back shelf and spare tire. A fine replica of the original.  
Helps make your interior to look like new. Color: Black, Red, Off-White & Tan.

## 1019 REAR PACKAGE TRAY (with speaker hole)

Replica of the original, vinyl. Installs in minutes. With speaker hole cut out.  
Color: Black, Red, Off-white & Tan.

## 1020 REAR PACKAGE TRAY (without speaker hole)

Replica of the original, vinyl. Installs in minutes. Without speaker hole cut out.  
Color: Black, Red, Off-white & Tan.

## 1032 CENTER CONSOLE COVER

Vinyl stitched. We stock red, black or tan. Specify color. Many other colors are available.

## 1037 VINYL, REAR WHEEL WELL COVER

Replace your faded or damaged rear wheel well upholstery with these new pieces. Pair.  
Available colors: Black, Red, Tan or Off-White.

## 1046 GT SUN VISORS

Restore your interiors look and your safety by replacing your missing, warped or sun dried visors with these high quality reproductions. Driver's visor has the registration pocket and the passenger visor has the vanity mirror. Available colors: Black and Off-White.

## 1048 GT FRONT KICK PANELS

Replace your torn, damaged or scuffed front kick panels with these new upholstery pieces. Pair.  
Available colors: Black, Red, and Tan.

## 1050 GT DOOR PANEL SET of 4, BLACK

Opel GT Door Panel & Quarter Upholstery panel set. Set of 4 pieces. Drivers door comes with the map pocket.  
**Note:** Your old front left & right GT door panel metal tops must be returned to Opel GT Source with the felt retainers.  
**Note II:** Opel GT Source recommends you purchase new Door panels clips (1045), and new door panel grommets (1041).

## 2052 TRIM STRIP

This trim strip covers the edge of the headliner at the rear window. Two required per GT. Color: Black

1037



1050



1048



1046

# SEAT UPHOLSTERY & SEAT BELT KITS

## 1010 GT SEAT UPHOLSTERY, VINYL

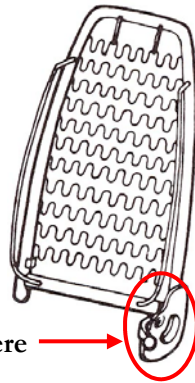
A high quality reproduction of the original Opel GT seat upholstery. Made from high quality vinyl. French stitched and zipper backs. Sold as a pair. Available colors: Black, Red, Tan & Off-White.

## 1011 GT BLITZ CENTER SEAT UPHOLSTERY, VINYL

Same vinyl sides and back, as item 1010, but with a velour embroidered repeating Blitz logo center section. Adds a racy feel to your GT's interior. French stitched and zipper backs. Sold as a pair. Color: Black only.

## 1031 SEAT HINGE REPAIR BOLT

If your seat recliner latch will not lock properly, or jumps out of position, it may have a badly worn out seat latch rivet. Restore proper latching by replacing the rivet with our special replacement bolt.



Repair Bolt fits here

1033

## 1033 SEAT BELT KIT

Do you have missing, damaged, old or just plain un-safe original seat belts? Would you like to modernize your GT and increase safety? Then this kit is your solution. One kit does one seat. Features smooth, unrestricted movement while buckled in, yet they lock up firmly when they need to.

**Fitment:** 1972 & 73 GT, originally equipped retractor reel, this kit is a bolt-on.

1970 to 72 GT, with 4 piece separate lap and shoulder belts, some drilling is required, to install the retractor reel.

1968 to 1969 GT, with quarter-panel mounted shoulder belts, this kit is not recommended for,



## LEATHER SEAT UPHOLSTERY, BLACK

If you are looking for the ultimate touch of luxury and would like to place a Special Order, Opel GT Source can offer you seat upholstery in leather.

Special Orders may take 4-8 weeks for delivery and require a non-refundable deposit. Special orders are not returnable.

# INTERIOR, GT DASH AREA 1968-1973

## 1023 ABS PLASTIC DASH CAP

Looking for an easy repair for your cracked GT dash? This dash cap, made of vacuum formed ABS plastic, may be the solution you are looking for. Fits over your existing dash pad. Covers the dash top and most of the front face. Does not go down to the center console.

Includes a tube of clear RTV adhesive for a proper installation.

## 1025 VINYL STITCHED DASH COVER

Covers entire dash pad. Specify color. Must be stretched and glued into place with dash pad removed from car. We stock red and black.

**Note:** Dash cracks must be smoothed and filled before installation.

## 1036 KNOB, GT DASH VENT KNOB

This new European reproduction knob is designed to fit the driver & passenger dash vent lever.

## 11030 HEATER CONTROL PLATE

Replace your broken heater control plate with this high quality black anodized and hand painted billet aluminum piece. All of your existing cables and levers transfer easily to this plate.

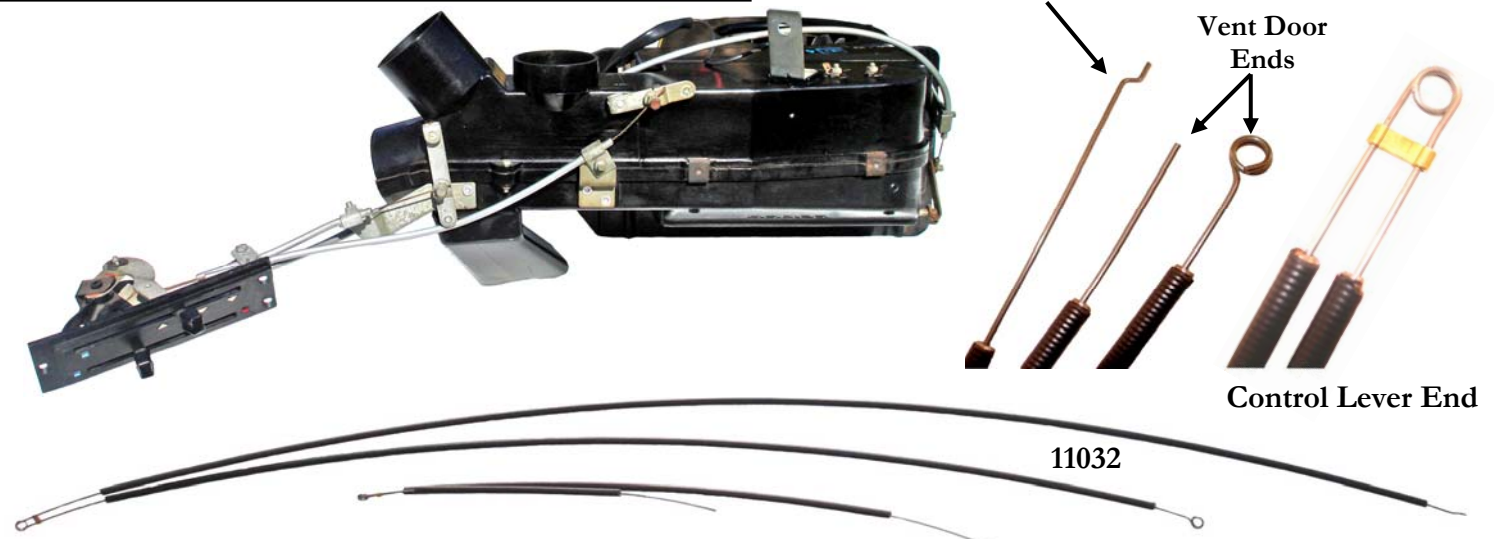
## 11032 HEATER CONTROL CABLE SET

This brand new heater control cable set will replace both your heater valve and dash vent cables.

Replace your old broken, bent or rusty cables with this high quality set. Note that the cables have the correct ends for easier installation.



**Heater Core Tech Tip:** We recommend hand back flushing your heater valve and core which helps to remove sediment build-up and increase heater efficiency.





# INTERIOR cont.

## 8020 OPEL GT 4 SPEED SHIFTER BOOT

The GT shifter boot not only restores your interiors look and feel but it also is extremely important to keep the engine heat and road noise out of your GT's interior.



8020

## 2054 GT, STAINLESS STEEL DOOR SILL PLATE

Are your GT's door sill plate damaged by careless passengers getting the seat belts caught in the door opening? Are your sill plates missing? Then restore your interiors former glory with these high-quality European stainless steel reproduction sill plates.

## 2044 TRIM SCREW, for GT sill plates and dash pad

Need to replace those old rusted trim screws. Are you needing new screws to install your sill plates or dash pad?

Opel GT Source has you covered with the proper style posi-drive trim screws.



8047

## 8047 SHIFTER KNOB

This brand new Opel shift knob, with simulated wood grain, is the correct knob for the 1973 Opel GT & the 1973-74 Manta & 1900 models. **Note:** Will fit all Opel 4 speed shifters.

## 1038 GT ARCH UPHOLSTERY, lower window area

This vinyl and cardboard part is the finishing touch for your upper deck area. Located just behind the package tray and under the rear window rubber. Available in Black, Red, Tan and Off-White. A great addition when replacing a headliner



1038

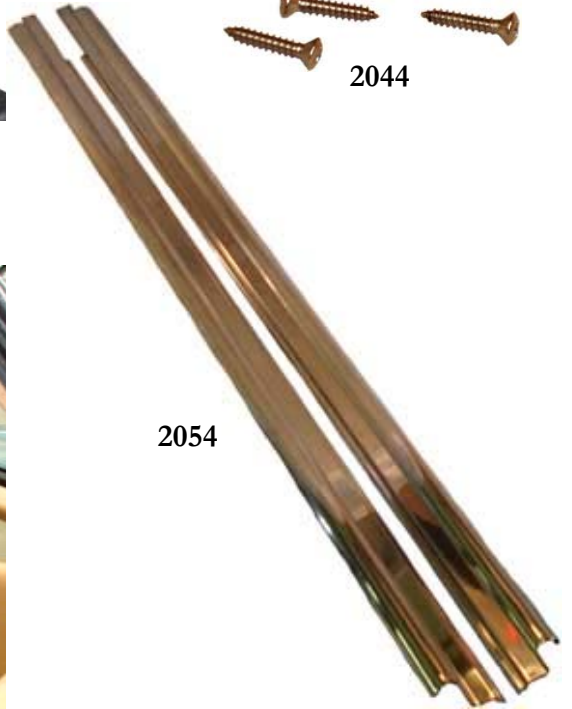


2044

1973 GT with Tan Interior



2054



**Trim Screws**  
Seven trim screws are required per stainless steel door sill plate.

# OPEL GT DOOR PANELS & HARDWARE

## 1050 OPEL GT DOOR PANELS

Opel GT Source is pleased to announce we have beautiful brand new reproduction front & rear door panels available. Opel GT Source also recommends the purchase of new door panel retainer clips (1045) and door panel grommets (1041). These reproduction door panels use the original steel inner door sheet metal, and factory felt retainer clips. Door Panels are limited to supplies on hand. These items are in short supply and your old units must be returned to Opel GT Source.

**Note:** Upon receiving the new door panels Opel GT Source will require your old front door panel steel top assemblies and felt retainer clips to be shipped back to Opel GT Source for core return. For clarification please contact an Opel GT Source representative for details.



**Tech Tip:**  
Missing your door panel clips?  
Order: 12x per front door panel  
5x per rear door panel

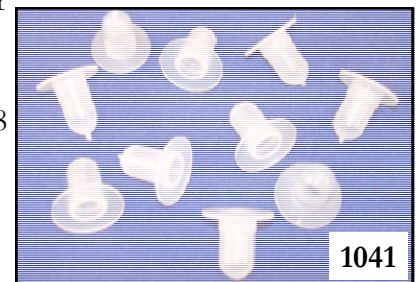
## 1046 CLIP, DOOR PANEL RETAINER CLIPS, set of 12

These clips insert into the Opel GT door panels. Rear Quarter Panels, Kick Panels and Spare Tire Cover.



## 1041 GROMMET, DOOR PANEL PLUG, set of 10

These grommets help to secure the door panel clips into the door sheet metal, as well as seal out moisture and fastening the plastic sheet, moisture barrier. One set required per Opel GT door.



## 2041 RING, for DOOR LOCK BUTTON

The proper size plastic ring to top off your door panels. Fits all year Opel GT's & 1968 to 1972 Opel Kadetts, or Ascona A. One required per door.

## 1043 FELT WEATHER STRIP, for Inner GT Door Panel

This felt strip is found clipped to the inside of your door panel and lays up against the door glass. To The finishing touch for your door panels. Fits left or right GT doors.

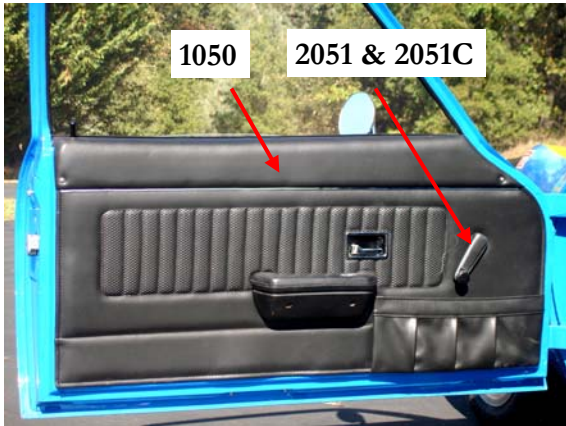
Felt Profile



# DOOR HARDWARE

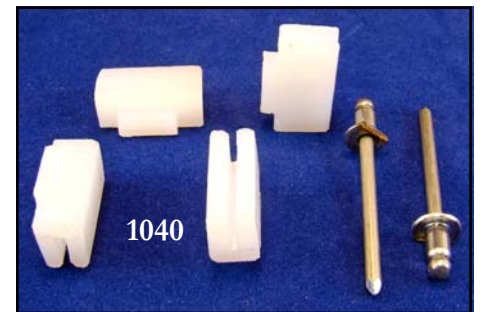
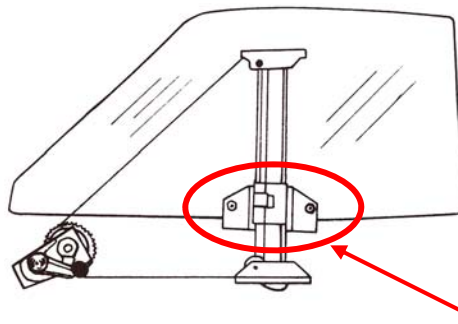
## 2051 WINDOW CRANK HANDLE

Opel service replacement window crank handle for the GT, Manta, 1900 & Kadett. Comes with a new lock clip. This black window crank handle with chrome trim & rubber knob is the perfect solution to finish off your interior.



## 2051C Clip, for WINDOW CRANK HANDLE

This clip retains the window crank handle to the window regulator shaft.. Fits GT, Manta, 1900 (Ascona) & Kadett B.



Nylon Glides fit here

## 1040 NYLON GLIDES, for the GT door glass lifter

These nylon glides will allow you to rebuild your GT's door glass lifter to help restore smooth window operation. Each set comes with 4 nylon glides & two modified rivets and will repair one door lifter. Fits left or right GT doors.

## 1042 KNOB, DOOR LOCK BUTTON

Dress up your Opels interior with this pair of polished aluminum door lock buttons. Fits all Opel GTs & 1968 to 1972 Opel Kadetts or Ascona.

## 2041A RING, for DOOR LOCK BUTTON

Polished Aluminum.

## 1008B VISOR HINGE

Black plastic reproduction. Note: Two (2) hinges required per visor.

## 1008W VISOR HINGE

Off-White plastic reproduction. Note: Two (2) hinges required per visor.

## 1008R VISOR HINGE

Red plastic reproduction. Note: Two (2) hinges required per visor.

## 1008T VISOR HINGE

Tan plastic reproduction. Note: Two (2) hinges required per visor.

## 2036 Clips, Door Window Track, set of 20

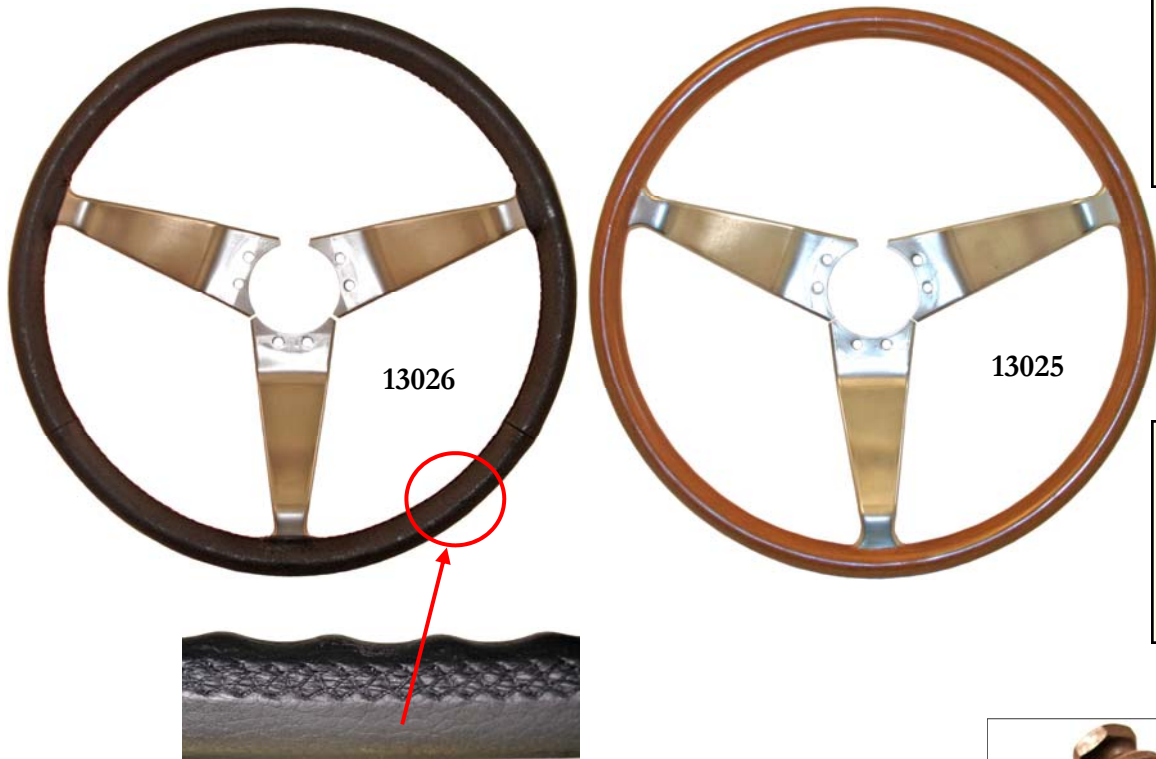
These clips grip the door window track felt (part# 2005) to the inside of the GT door frame.

If your clips are missing or rusted, this set of 20 pieces will secure the track to one Opel GT door.



# OPEL GT STEERING WHEELS

Is your Opel GT's original simulated wood grain steering wheel cracker, dull, faded or otherwise looking unsightly? Do the cracks hurt your hands while driving? Then these professionally restored original GT steering wheels are for you.



**Tech:**  
Diameter of the original Opel GT steering wheel is 13 and 3/4 inches.

**Detail Note:**  
The leather covered steering wheel is recovered using a high quality Italian style stitch pattern for long life and comfort.



Restored Steering Wheel in a 1969 GT



**Steering Column Shear Bolt**  
Part # 2053

These are the same anti-theft shear bolt Opel used to install your steering column at the factory. The head is designed to shear off when the proper torque is achieved.

## 13025 Rebuilt, Simulated Wood Grain Opel GT Steering Wheel

Professionally refinished simulated wood grain Opel GT steering wheel. A finishing touch to any interior restoration.

## 13026 Leather Wrapped Opel GT Steering Wheel

Professionally wrapped and stitched Opel GT steering wheel. This leather wrapped wheel, with tight stitching will make a great addition to your 1970s GT interior which originally used the "1 year only" rubber gripped steering wheel.

**Note:** Items 13025 & 13026 are Service/Exchange Items. Your Core simulated wood grain steering wheel required as a core.

# Raid Steering Wheels for your Opel

The luxury of the Raid leather-wrapped steering wheel is evident by its comfortable rim with finger grips, giving you more confidence while negotiating that favorite Opel back-road. Fits GT, Manta, Ascona and 1900. Use with the Raid steering wheel coupler. The Raid steering wheels are 13 1/4" inches in diameter (340mm).

## Raid, Leather Steering Wheel, Silver Spokes Part # 1027-Silver

The silver spoke Raid steering wheel comes with a Dino horn button and horn retainer ring. (Use Raid steering wheel coupler part # 1022)



## Raid, Leather Steering Wheel, Black Spokes Part # 1027-Black

The black spoke Raid steering wheel comes with a Dino horn button and horn retainer ring. (Use Raid steering wheel coupler part # 1022)



## Raid, Steering Wheel Coupler Part # 1022

The Raid steering wheel coupler retains the turn signal cancel cam function, and comes with steering wheel mounting bolts.

Fits: GT, Manta, 1900 & Ascona.



## Momo, Steering Wheel Coupler Part # 1029

Install your favorite Momo steering wheel (or Momo compatible steering wheel) into your Opel. The Momo steering wheel coupler is designed to preserve the turn signal cancel cam function. Includes: six steering wheel mounting bolts, ground plate and wrench. Fits: GT, Manta, 1900 & Ascona.



Raid steering wheel in a GT.

**Tech Tip:** Looking at a Grant steering wheel, but have been told that there is no Grant steering wheel adapter for the Opel? Order the Momo steering wheel coupler (1029) and the Grant adapter (1039) and install your favorite Grant steering wheel.

### Tech info:

There are many nice steering wheels available on the aftermarket. The Momo steering wheel is one of the most popular. However, there are many other steering wheel manufacturers that make their steering wheels compatible to the Momo wheel bolt pattern. This allows you to choose from a large variety of styles that fit your taste.

We recommend steering wheels that are no smaller than 13" and no larger than 14" in diameter

## Adapter, Grant Steering Wheel to Momo Coupler Part # 1039

This adapter allows you to install a Grant steering wheel on a Momo steering wheel coupler.

**Note:** This adapter must be used in conjunction with the Momo steering wheel coupler (1029).



# NEW, FACTORY STYLE RUBBER PARTS

Opel GT, Manta, Ascona, 1900 & Kadett

Seal your passenger compartment from engine and driveline heat, road noise and fumes with these new shifter boots!

## 8020 Opel GT 4 Speed Shifter Boot

Fits all GT from 1968-1973 with 4 or 5 speed.

## 15004 Opel Manta & 1900 4 Speed Boot

Fits all Manta/1900 (Ascona) 1970-1975 w/ 4 or m5 speed.

## 15099 Opel Kadett 4 Speed Boot

Fits the 1.1L Kadetts with a 4 inch diameter round base.

## 4063 GT Parking Brake Boot, (under chassis)

This part is located on the under side of the GT where the hand brake rod exits the floor board.

Helps to keep fumes from entering the car.

## 11024 Gasket, Heater Tubes

Located under the GT hood where the heater tubes exit on the fire wall.

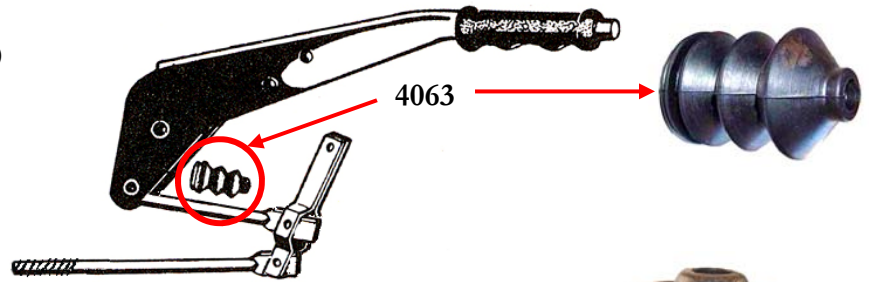
Reduces under hood fumes from entering your GT.



1968-73  
GT



Manta/1900  
1971-75



11024

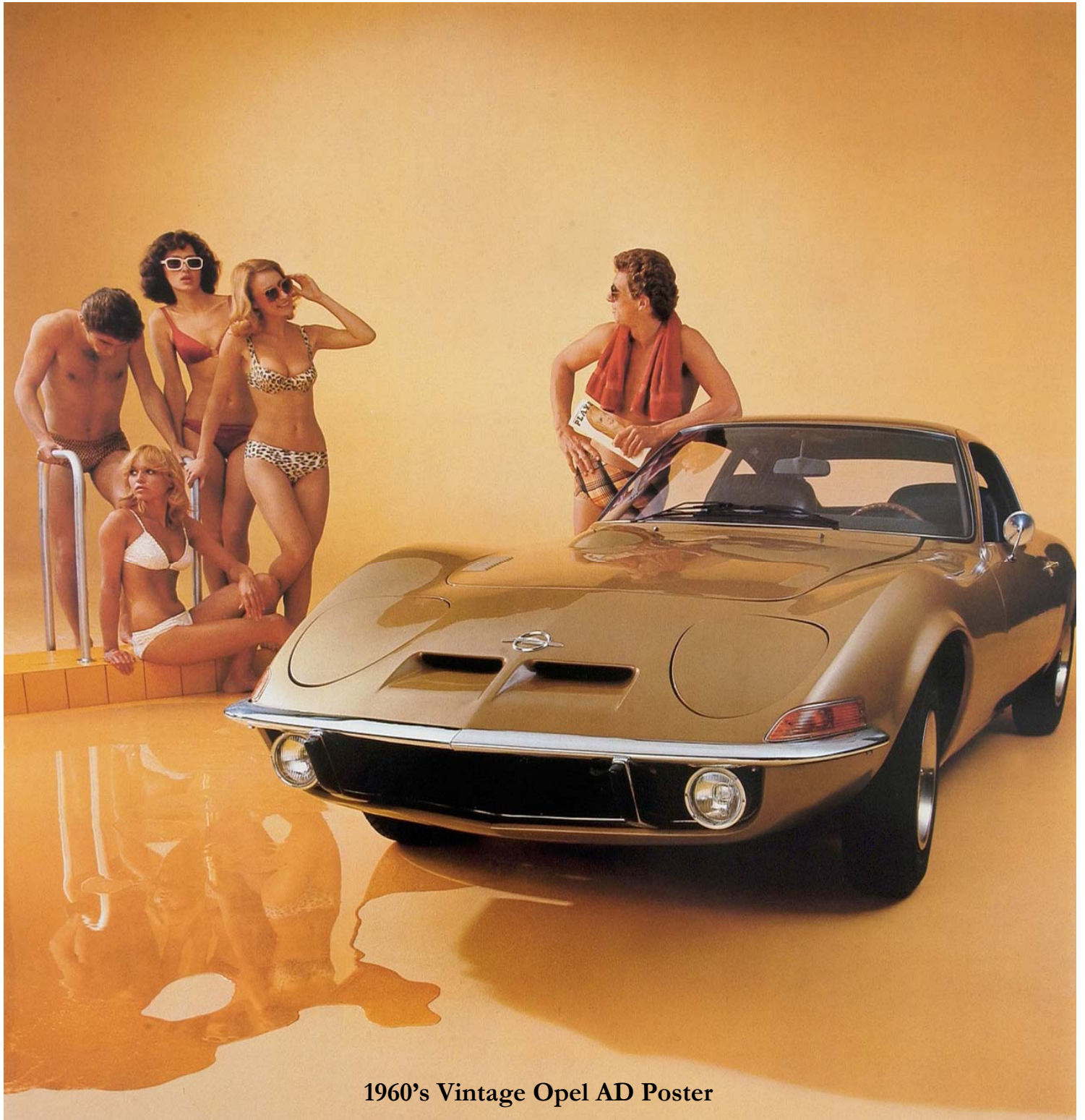


1.1L Kadett  
with 4 inch  
base



With Opel GT Source parts, and some elbow grease, your Opels engine compartment could look like this.

# Opel GT: The Body of an Athlete.



1960's Vintage Opel AD Poster

1968 Opel GT A/L with European Passing Lamps instead of turn signals in the grill.

This GT uses rubber part #'s 2001, 2002, 2003, 2005 & 2006 to achieve this look

# Opel GT Body, Windows & Doors



## **2001 GT-A-L WINDOW CHANNEL, FRONT**

Front window rubber with groove to install chrome or black locking strip (2010 or 2040). Reproduction.

## **2002 GT-A-L WINDOW CHANNEL, REAR**

Rear window rubber with groove to install chrome or black locking strip (2010 or 2040). Reproduction.

## **2003 GT-A-L QUARTER WINDOW CHANNEL, FIXED**

Quarter window rubber for 1968-1970 fixed quarter windows (non-opening), with groove for your chrome. Reproduction.

(Note: Also view "GT/J" Option)

## **2004 GT-A-L QUARTER WINDOW CHANNEL, POP-OUT**

Quarter window rubber for 1971-1973 pop-out quarter windows, with place for chrome. Reproduction.

## **2005 DOOR WINDOW TRACK**

Holds chrome in place as well as keeping a good seal around door window. Fits on track inside door. Sold as 1 Set for both doors.

## **2006 LOWER DOOR WINDOW RUBBER SCRAPER**

Outside scraper which contacts the lower part of the door window to keep dirt and water out.

## **2038 DOOR WEATHERSTRIPPING, UPPER**

Rubber for sealing the door to the body. Keeps dirt, wind and water out of your interior.

Right or left, two (2) required per car. Available in black, white or tan. Aftermarket. (also sold in #2222 set)

## **2039 DOOR WEATHERSTRIPPING, LOWER**

Rubber for sealing the door to the body. Keeps dirt, wind and water out of your interior.

Fits under door kick panel to seal lower part of door. Right or left, two (2) required per car. (see also #2222 set)

Available in black, white or tan. Aftermarket.

## **2010 WINDOW LOCKING STRIP, CHROME**

Chrome locking strip for front/rear window channels. Installation tool available (2019).

## **12005 CHROME CORNERS**

Chrome Corners for front and rear windshields. German reproduction in stainless steel.

Fits: 1968-73 Opel GT front & rear.

## **2011 GT/J WINDOW CHANNEL, FRONT**

Front window rubber that is solid, with no place for chrome. Gives your car a European "Cafe Racer" look!

Best when used with 2012. Reproduction.

## **2012 GT/J WINDOW CHANNEL, REAR**

Rear window rubber that is solid, with no place for chrome. Gives your car a European "Cafe Racer" look!

Best when used with 2011. Reproduction.

## **2013 GT/J QUARTER WINDOW CHANNEL, FIXED**

Quarter window rubber for 1968-1970 fixed quarter windows (non-opening), solid, with no place for chrome.

Reproduction. Best when used with 2011 and 2012.

## **2014 UPPER DOOR BUMPER**

Rubber stop which protects car body when door closes. Right or left.



Opel GT A/L, 1968-70 use all window chromes w/ fixed rear quarter windows: Use part #'s 2001, 2002, 2003, 2005 & 2006  
Opel GT A/L, 1971-73 all window chromes with opening rear quarter windows: Use part #'s 2001, 2002, 2004, 2005 & 2006  
Opel GT/J 1968-70 no chrome all windows with fixed rear quarter windows: Use part #'s 2011, 2012, 2013, 2005 & 2006  
Opel GT/J 1971-73 no window chromes with opening rear quarter windows: Use part #'s 2011, 2012, 2013, 2005 & 2006  
**Note:** Chrome which can not be deleted & must be made black is: (A) Lower door chrome& (B) 71-73 quarter window chrome.

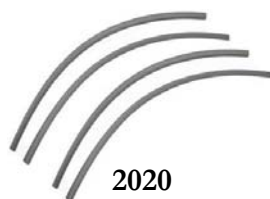


**2019 LOCKING STRIP INSTALLATION TOOL**

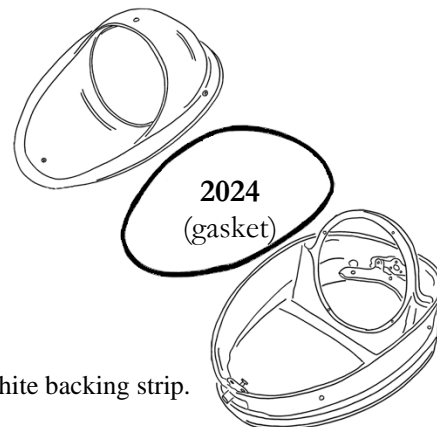
For inserting chrome into front and rear window channels.

**2020 BUMPER GASKET SET**

Fits between the bumper and bumperette, set of four (4).



2020



2024  
(gasket)

**2021 BUMPERETTE RUBBER, FRONT**

Replica of original front bumperette rubber.

**2022 BUMPERETTE RUBBER, REAR**

Replica of original rear bumperette rubber

**2222 DOOR OPENING WEATHERSTRIP KIT**

Fits on lip around door opening in body, One kit does top & bottom of both sides. Saves money over #2038 & #2039 strips -You cut it to fit. Available with black, tan or off-white backing strip.

**2024 GT HEADLIGHT BUCKET GASKET**

Rubber "O" ring gasket between headlight bucket and headlight cover. Reproduction.



2025



2027

**2025 FIBERGLASS BELLY PAN**

A fine reproduction of the original belly pan. Made of high-quality "hand layed" fiberglass. Rust and battery acid safe. Less likely to be dented than a steel belly pan. Body work required to install. Oversized shipping.

**2027 FIBERGLASS NOSE PANEL**

A fine reproduction of the original nose panel. Incorporates the front curved front corners. Made of high-quality "hand layed" fiberglass. Body work required to install. Oversized shipping.



2026

**2026 FIBERGLASS REAR PANEL**

A fine reproduction of the original rear panel. Made of high-quality "hand layed" fiberglass. Body work required to install. Oversized shipping.



12025

**12025 SPORT MIRRORS, BLACK**

Reproduction of the classic 'Sport' mirror used on many Opels. Fits left or right. Buy two (2) for your project.



# OPEL GT, BODY REPAIR PANELS

**2025 FIBERGLASS BELLY PAN:** This fiberglass reproduction Opel GT front belly pan will fit all 1968 to 1973 models. This panel will allow you to repair accident damage or replace rust damage from a leaking battery. Your old grill, grill mounted turn signals and bumper assembly will fit as original. Body work required. Made of high quality "hand layed" fiberglass. **Part # 2025**



## Battery Box:

Note: New steel battery boxes are also available from Opel GT Source under part # 5019.



**2026 FIBERGLASS REAR PANEL:** This fiberglass reproduction Opel GT tail lamp panel will fit all 1968 to 1973 models. This panel will allow you to repair accident damage or replace a rusted original panel. Your old tail lamp housing mounting cups will need to be transferred from your old panel to this replacement panel. Ground wires must be lengthened and run to the chassis to complete electrical circuits. Body work required. Made of high quality "hand layed" fiberglass. **Part # 2026**



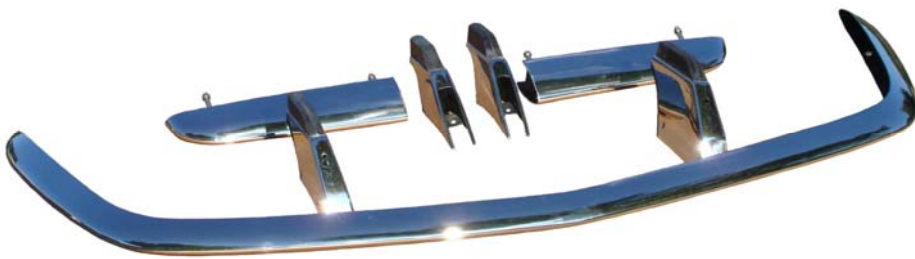
**2027 FIBERGLASS NOSE PANEL:** This fiberglass reproduction Opel GT nose panel will fit all 1968 to 1973 models. This panel will allow you to repair accident damage or replace a rusted original panel. Incorporates the front side marker locations. Body work required. Made of high quality "hand layed" fiberglass. **Part # 2027**



# Stainless Steel Bumper Set for your Opel GT



Add that finishing touch to your Opel GT restoration.  
New Stainless Steel Bumpers and Bumperettes.



# Stainless Steel Bumper Set for your Opel GT



## Stainless Steel Opel GT Bumper Set

Part # Bumper Set

Here at last, the stainless steel bumper set for the 1969-1973 Opel GT. Set Includes: front bumper, both left and right front and rear bumperettes with rubber bumperettes installed, rear left and right bumpers and bumperettes. Plus we include our own bumperette gaskets and reproduction rear bumper spacers and sleeves for that professional finishing touch.

Note: Rear bumpers do not include the left or right rear license plate light base or license plate lenses.

Note II: New reproduction license left or right license plate lens for the rear bumpers may be ordered under part#: 5011 for the right & 5012 for the left or 50011 as a pair.



Front bumper, left and right metal bumperettes with rubber bumperette pads and gaskets shown.

Rear bumper, rear bumperette, mounting spacers with sleeves, bumper gaskets and rubber bumperette.



## GT Head Light Cable

Part # 2033

Is your head light cable stiff, rusted, broken or bent. This new cable will help to restore smooth operation.

**Note:** Cable end hardware is not included

### Tech Tip:

Stiff head lamp operation is often caused by dirty head lamp rotators, leading to head lamp cable failure.

We recommend you disassemble, clean and lubricate the head lamp rotating mechanisms to restore smooth, easy operation.



### Head Lamp Options

Halogen performance headlight options are on a following page

# Rear Window Louvers



## Rear Window Louvers

Part # 2050

These high quality rear window louvers are made of aircraft quality 6061-T6 aluminum and are powder coated in satin black.

This louver kit is easy to install. The pieces fit under your existing window rubber and is designed with special clips for easy installation and removal to allow easier access to clean the rear glass. This special design allows good rear visibility, while reducing the suns damaging UV rays and helps lower your interiors temperature.



# High-Quality form-fitting Opel GT car cover



## Custom Fitted OPEL GT Car Cover

Part # 12053

Made of Techralon, our form-fitting car covers are designed for both indoor or outdoor storage. These high-quality protective covers are specifically designed to breath. The Techralon material is designed to not only repel water rain water, it also blocks much of the suns heating rays.

If you have been looking for a high-quality protective cover, and have only found cheap one-size fits all universal fit car covers, our custom designed car cover will not disappoint.

Cover has heavy-duty grommets allowing you to lock your car cover to your car. (Cable and lock not included.)

Available colors are: Tan (as shown), Gray and Blue.

**Our Opel GT Source car covers are specifically designed to couture to the GTs curvy body lines.**

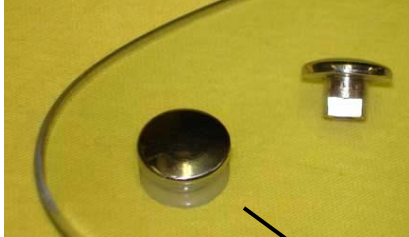


# Rear Pop-Out Window Hardware

## NEW Pop-Out Buttons

These high quality polished stainless steel pop-out buttons are available for a limited time only.

These buttons will be perfect for either your Opel GT restoration or for your custom built Opel GT.



## **BUTTON, STAINLESS STEEL, for REAR POP-OUT LATCH** **Part # 2055**

Stainless Steel production of the rear latch button for the pop-out window of the 1971-1973 Opel GT. Fits left or right sides.



## **BUTTON, STAINLESS STEEL, for FRONT POP-OUT HINGE, PAIR** **Part # 2056**

Stainless Steel production of the front hinges buttons for the pop-out window of the 1971-1973 Opel GT. Pair. Fits Left or right sides.

## **2004 GT-A-L QUARTER WINDOW CHANNEL, POP-OUT**

Quarter window rubber for 1971-1973 pop-out quarter windows, with place for chrome. Reproduction.

## **2018 GROMMET SET**

Pop-out window plastic grommets which fit in between the window and hardware.  
Set of twelve (12) for both windows.

## **2055 BUTTON, STAINLESS STEEL, for REAR POP-OUT LATCH**

Stainless Steel production of the rear latch button for the pop-out window of the 1971-1973 Opel GT. Fits Left or right sides.

## **2056 BUTTON, STAINLESS STEEL, for FRONT POP-OUT HINGE, PAIR**

Stainless Steel production of the front hinges buttons for the pop-out window of the 1971-1973 Opel GT. Pair. Fits Left or right sides.

## **2057 BUTTON SET, STAINLESS STEEL, for ONE (1) POP-OUT WINDOW**

Stainless Steel production of the rear latch & hinge buttons.  
Include one (1) 2055 & Two (2) 2056 buttons, enough for one pop-out window.  
Fits Left or right sides, 1971-1973 GT.

## **2058 QUARTER WINDOW TRIM**

Reproduction. Metal Trim around 1971-1973 "Popout" Side Window. Special Order Item.

# Handling is Nothing without Control.



Do I really need Sway Bars?

The picture above tells the whole story. The stock GT, in the background is struggling to maintain control while the prepared GT is safely negotiating the corner while instilling confidence to its driver. Of course, you do not need to be driving a race prepared Opel GT to feel the difference in handling. Our 1 inch front and 3/4 inch rear sway bars, as well as our polyurethane bushings will add a level of safety in your every day commute by delivering 'predictable' handling. Plus, the added benefit in knowing your Opel will deliver more fun the next trip down your favorite back road or your favorite freeway off-ramp.





# Front Suspension



## 3001 SPORT LEAF SPRING

Lowers car 1 1/2" and induces a 2 degree negative camber that can be adjusted out by rotating upper ball joints 180 degrees. Improves handling and appearance of your GT or Kadett. Fairly stiff ride quality, OK for street but best suited for autocross or racing applications. Should be used in conjunction with rear sport springs (3004). Installation instructions included. Performance polyurethane bushings available (3023).

## 3002 GT FRONT SWAY BAR

1" diameter. Bolts up to original factory sway bar locations. Features polyurethane bushings, all hardware, and brackets. Noticeable handling improvement and easy installation. Installation instructions included. NOTE: This part does not fit Kadett.

## 3003 REAR SWAY BAR

3/4" diameter. Bolts up to factory sway bar locations. Features polyurethane bushings, all hardware and brackets. Improves handling characteristics and installs with ease! NOTE: Requires a factory sway bar rear axle or brackets (3042).

## 3043 UPPER SPRING HAT, POLYURETHANE

For use with Lenk sport springs (3004) or original rear coil springs. Specify year.

## 3044 LOWER SPRING SEAT, POLYURETHANE

Between rear coil spring and axle spring cup.

## 3005 KONI YELLOW FRONT SHOCKS

Fully adjustable racing shocks. Not recommended for street application, excellent for a racing application. Best when used in conjunction with 3006.

## 3006 KONI YELLOW REAR SHOCKS

Fully adjustable racing shocks. Not recommended for street application, excellent for a racing application. Best when used in conjunction with 3005.

## 3007 KONI RED FRONT SHOCKS

If you are going to do any one thing to improve the handling of your GT or Kadett, this is it. Good for street and sport applications. Fully adjustable. Best when used in conjunction with 3008.

## 3008 KONI RED REAR SHOCKS

Fully adjustable shocks. Best when used in conjunction with 3007.

## 3025 SPORT REAR SUSPENSION BUSHING KIT

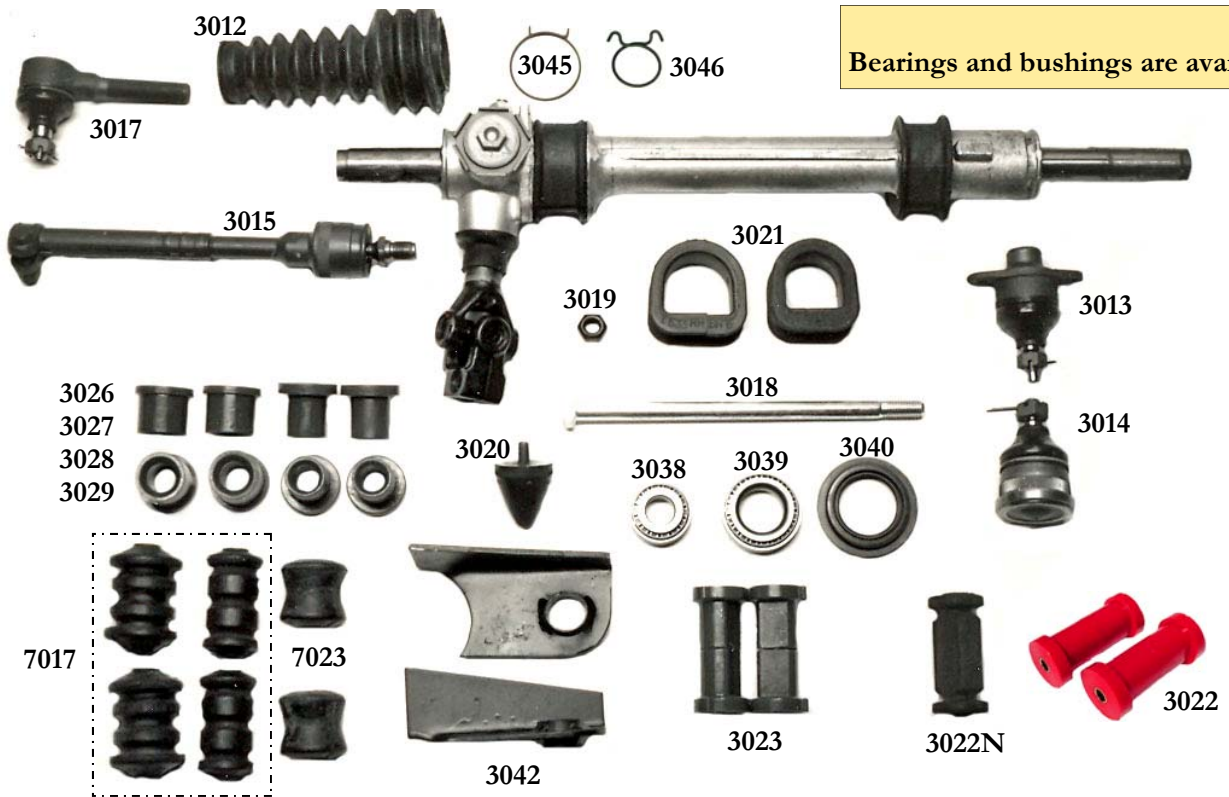
Polyurethane. Includes: Two (2) piece front trailing arm bushings. Two (2) piece rear trailing arm bushings. Two (2) panhard rod bushings. Four (4) trailing arm bushing sleeves (cad. plated). Four (4) cad. plated trailing arm bolts. Four ny-lock nuts.

Major improvement over original rubber rear suspension bushings. Easy installation. No special tools required. Finish off your suspension with these high-quality performance suspension parts. Noticeable handling improvement. Fits GT, Kadett, Manta and 1900.



3025's Illustrated

# Front Suspension: Opel GT



- 3012** RACK & PINION BOOT: Keeps harmful dirt and debris from causing premature failure of your rack & pinion, & inner tie rods.
- 3046** RACK & PINION BOOT KIT: Kit contains two rubber (3012) boots and two each clamps (3045 & 3046).
- 3013** UPPER BALL JOINT: Located on the upper control arm. Comes with bolts.
- 3014** LOWER BALL JOINT: Located on the upper control arm.
- 3015** INNER TIE ROD: Connects the rack & pinion to the outer tie rod.
- 3017** OUTER TIE ROD: Connects the steering knuckle to the inner tie rod.
- 3018** BOLT, UPPER CONTROL ARM: New bolt. Connects control arm to suspension cross member.
- 3018N** NUT, UPPER CONTROL ARM: New nut. Secures the upper control arm bolt (3018).
- 3087** BOLT, LOWER CONTROL ARM to CROSS MEMBER: New bolt. Connects lower control arm to suspension cross member.
- 3019** NUT, LOWER CONTROL ARM to CROSS MEMBER: New nut. Secures lower control arm bolt (3087).
- 3020** BUMP STOP BUSHING: Cushions impact of lower control arm to the cross member during driving. Four (4) per suspension.
- 3021** RACK BUSHINGS: These bushings secure the rack & pinion to the cross member. Polyurethane
- 3022** SPRING EYE BUSHING: For stock front spring. Polyurethane.
- 3022N** SPRING EYE BUSHING: For stock front spring. Rubber reproduction.
- 3023** SPRING EYE BUSHING: For sport spring (3001) & intermediate spring (3062). Polyurethane.
- 3086** BOLT, SPRING EYE to LOWER CONTROL ARM:
- 3085** FIBER SPACER, CROSS MEMBER to BODY: Located between the suspension and body
- 7017** BUSHING KIT for REAR TRAILING ARMS: Contains two (2) small & two (2) large trailing arm bushings. Rubber
- 7023** PAN HARD ROD BUSHINGS: Rubber bushings for the rear panhard rod.
- 3025** SPORT REAR SUSPENSION BUSHING KIT: Polyurethane trailing arm bushings with sleeves and nuts, and two polyurethane panhard rod bushings. The ultimate bushing kit for your Opels rear suspension.

# Front Suspension

## 3026 1969-1971 CONTROL ARM BUSHING SET, SOFT

Soft compound replacement polyurethane bushings. Set of eight (8). For upper and lower control arms. Street and sport application. Easy to install, no specialized tools required. Complete with teflon grease and instructions.

## 3027 1972-1973 CONTROL ARM BUSHING SET, SOFT

Soft compound replacement polyurethane bushings. Set of eight (8). For upper and lower control arms. Street and sport application. Easy to install, no specialized tools required. Complete with teflon grease and instructions.

## 3028 1969-1971 CONTROL ARM BUSHING SET, HARD

Hard compound replacement polyurethane bushings. Set of eight (8). For upper and lower control arms. For competition and racing applications. Also gives added stability with wider tires. Easy to install, no specialized tools required. Includes teflon grease and instructions.

## 3029 1972-1973 CONTROL ARM BUSHING SET, HARD

Hard compound replacement polyurethane bushings. Set of eight (8). For upper and lower control arms. For competition and racing applications. Also gives added stability with wider tires. Easy to install, no specialized tools required. Includes teflon grease and instructions.

## 3030 1969-1973 UPPER CONTROL ARM BUSHING, SOFT

Soft compound polyurethane.

## 3031 1969-1971 LOWER CONTROL ARM BUSHING, SOFT

Soft compound polyurethane. Inner diameter .710".

## 3032 1972-1973 LOWER CONTROL ARM BUSHING, SOFT

Soft compound polyurethane. Inner diameter .745"

## 3033 1969-1973 UPPER CONTROL ARM BUSHING, HARD

Hard compound polyurethane.

## 3034 1969-1971 LOWER CONTROL ARM BUSHING, HARD

Hard compound polyurethane. Inner diameter .710".

## 3035 1972-1973 LOWER CONTROL ARM BUSHING, HARD

Hard compound polyurethane. Inner diameter .745".



## 3054 KYB LOW PRESSURE GAS FRONT SHOCK

GT. Great for street and winding roads. Requires installation kit KIT104 to install on a GT or Kadett.

## 3055 KYB LOW PRESSURE GAS REAR SHOCK

GT. Great for street and winding roads.

## 3104 INSTALLATION KIT, for 3054

Shim Kit to install the KYB Front Shocks into a GT or Kadett.

## 3038 WHEEL BEARING, FRONT INNER

Fits GT, Manta, 1900 & Kadett B. NOTE: Except early 1.1L Kadett.

## 3039 WHEEL BEARING, FRONT OUTER

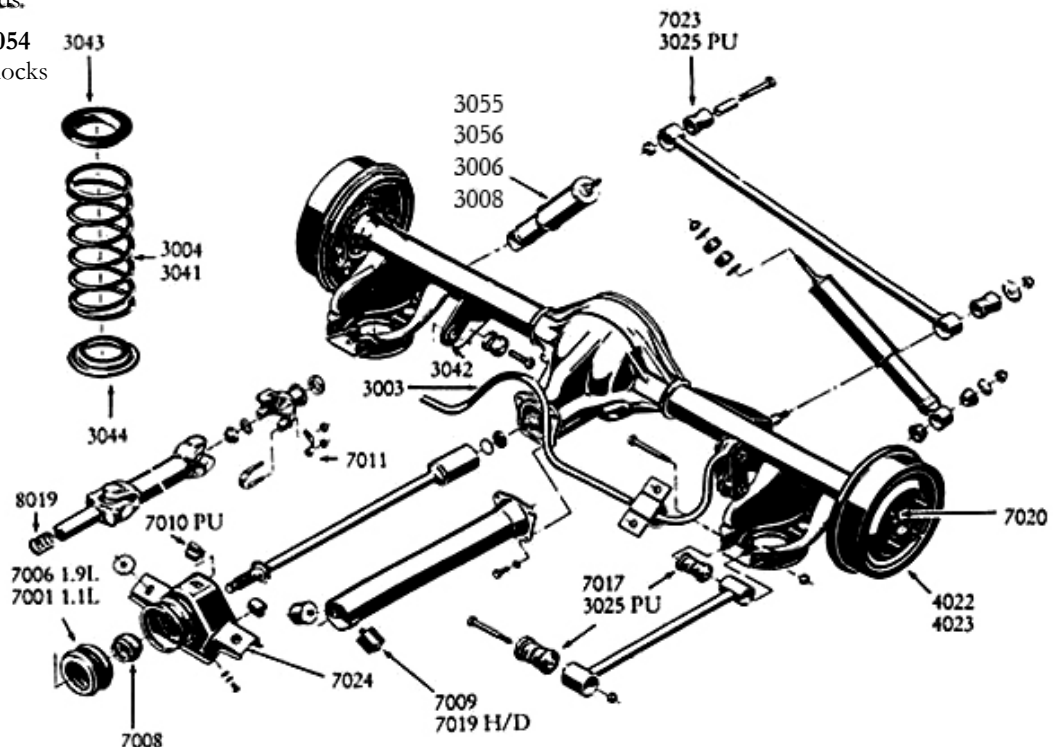
Fits GT, Manta, 1900 & Kadett B. NOTE: Except early 1.1L Kadett.

## 3040 SEAL, FRONT WHEEL BEARING

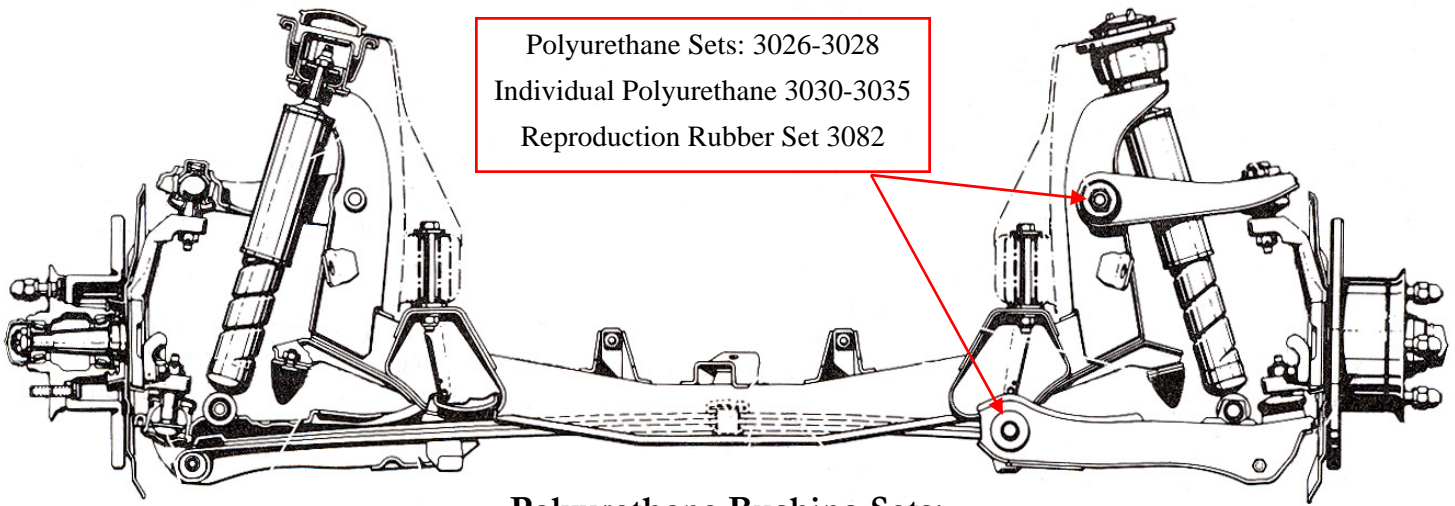
Cover to protect your wheel bearing from dust and dirt. Fits GT, Manta, 1900 & Kadett B.

## 3042 BRACKET, REAR SWAY BAR TO AXLE

Needed to install a rear sway bar to a non-sway bar rear axle. Must be welded in place.



# Bushings Opel GT Front Suspension



## Polyurethane Bushing Sets:

**3026** 1968-1971 CONTROL ARM BUSHINGS: Soft compound replacement polyurethane bushings, complete with Teflon grease and instructions. For upper and lower control arms for street and sport applications. Easy to Install, no specialized tools required. (set of 8).

**3027** 1972-1973 CONTROL ARM BUSHINGS: Same as 3026 above, for 1972-1973 model years. (set of 8).

**3028** 1968-71 CONTROL ARM BUSHINGS: Hard compound replacement polyurethane bushings, complete with Teflon grease and instructions. For upper and lower control arms for sport and racing applications. Easy to Install, no specialized tools required. Good for competition and racing applications giving added stability with wide wheels and tires. (set of 8).

**3029** 1972-73 CONTROL ARM BUSHINGS: Same as 3028, for 1972-1973 model years. (set of 8).

### Identifying which Bushing size you need:

Measure the Outside Diameter of the inner lower control arm bushing sleeve.

**1968-1971 measures 0.710 inches**

**1972-1973 measures 0.745 inches**



**Control Arm Bushings  
Part # 3026-3029**

## Individual Replacement Bushings:

**3030** 1968-1973 UPPER CONTROL ARM BUSHING, SOFT COMPOUND. Each.

**3031** 1968-1971 LOWER CONTROL ARM BUSHING SOFT 0.710". Each.

**3032** 1972-1973 LOWER CONTROL ARM BUSHING SOFT 0.745". Each.

**3033** 1968-1973 UPPER BUSHING, HARD COMPOUND. Each.

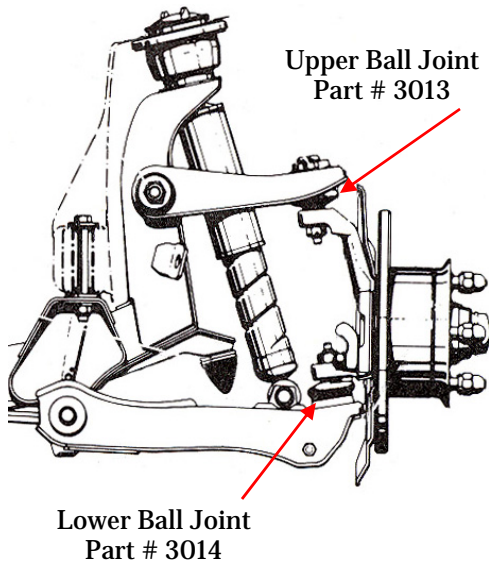
**3034** 1968-1971 LOWER CONTROL ARM BUSHING HARD 0.710". Each.

**3035** 1972-1973 LOWER CONTROL ARM BUSHING HARD 0.745". Each.

## Opel GT Source Polyurethane Suspension Bushings For More Precise Handling

Rubber bushings are the weak links in your Opel suspension system. Polyurethane increases suspension control and helps keeps your wheels in alignment under hard cornering and braking. The structural memory characteristics, resistance to cold flow and oils makes polyurethane superior to teflon or delrin. Polyurethane bushings will not swell or deform in moist conditions. Look at our money savings kits. Note: The hard bushings are necessary for precision suspension movement, and may resonate noise during street driving.

# Ball Joints Opel GT Front Suspension



**3013 UPPER BALL JOINT:**  
Located on front suspension upper control arm.  
Fits 1968-1973.



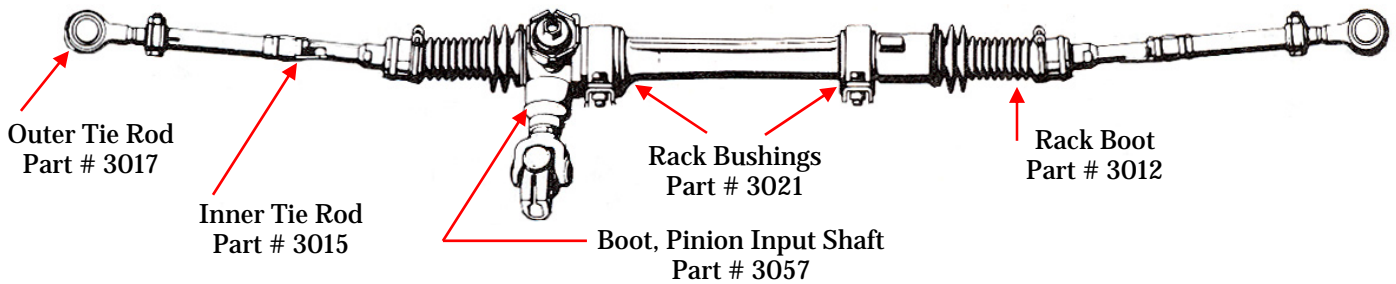
**3014 LOWER BALL JOINT:**  
Located on front suspension lower control arm.  
Fits 1968-1973.

## Suspension Restoration - Maintenance - Enhancement

Renew that 'solid' feel of your Opels front suspension with these high quality ball joints that come with new rubber dust boots.

We recommend that Ball Joints are best replaced in pairs.

# Steering Opel GT & Kadett Front Suspension



**3012 RACK & PINION BOOT:** Keeps harmful dirt and debris from causing premature failure of your rack & pinion, and inner tie rods.



**3015 INNER TIE ROD:** Connects rack and pinion to outer tie rod.



**3017 OUTER TIE ROD:** Connects inner tie rod to steering knuckle on the spindle.



**3021 RACK BUSHINGS:** Secures rack & pinion to suspension cross member. Polyurethane. Set of 2.

**3057 BOOT, PINION SHAFT:** Seals the pinion input shaft to rack & pinion housing. Helps to keep dirt and water from entering the rack and pinion. Made of rubber.



**3059 SLEEVES, INNER BUSHING SLEEVES:** Front suspension inner bushing sleeves. If your original bushing sleeves are damaged when installing polyurethane bushings in the GT or Kadett front control arms, these are a life saver. Can be ordered as a set of 8 sleeves for 1969-1971 & 1972-1973 Opel GT and Kadett. Specify year when ordering.



# OPEL GT STEERING



3012

## Rack & Pinion Dust Boot(s)

Individual Part # 3012  
or buy 2 in the kit as Part # 3064

Protect your rack & pinion from moisture, dirt & debris, with new rack & pinion boots.



3064 - Kit



3045



3046

## Want to order the clamps only?

Inner Clamp, part # 3045  
Outer Clamp, part # 3046

**Tech Tip:** We strongly recommend thoroughly cleaning & degreasing the rack & pinion assembly, and completely lubricating with molybdenum grease. ie.. CV Joint Grease

**Tech Tip:** If you hear a pop or clunk in the steering rack, check for a worn passenger side sintered iron bushing.



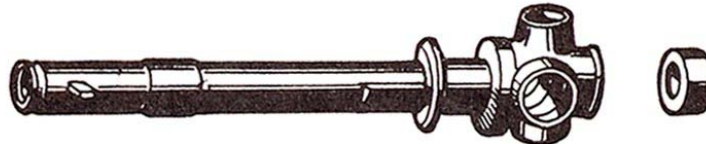
Sintered Iron Bushing,  
Passenger side  
Part # 3070



Pinion Input Bearing  
Part # 3072



Pinion Input Boot  
Part # 3057



## Rack & Pinion Mounting Bushings, Polyurethane

Part # 3021

Replace those old dry rotting rubber bushings with these high performance polyurethane bushings. Noticeably improves steering response.

**Note:** Bushings are split on the flat section surface for an easy installation.

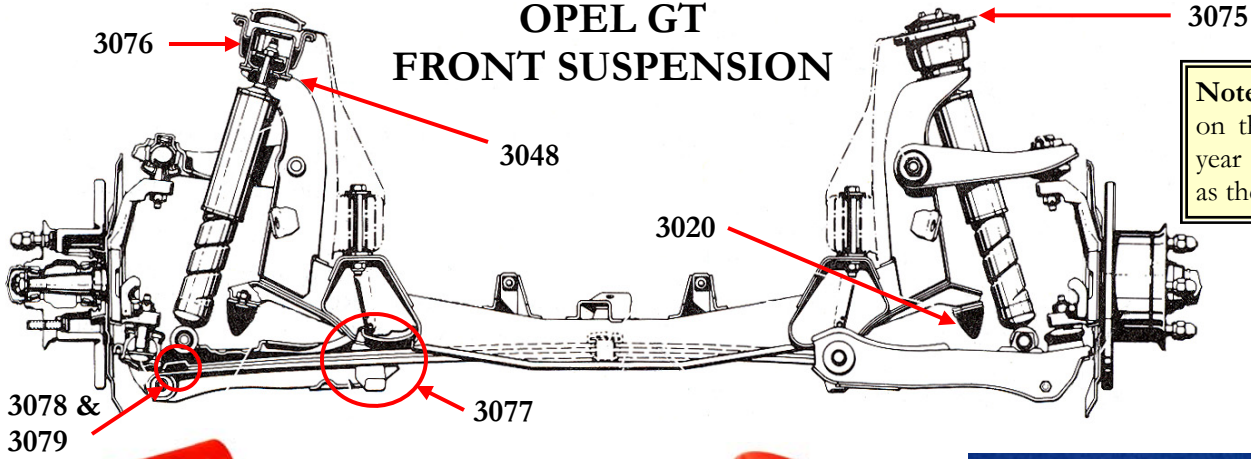


## Steering Shaft Boot at Firewall

Part # 3058

Helps to keep fumes out of interior.

# OPEL GT FRONT SUSPENSION



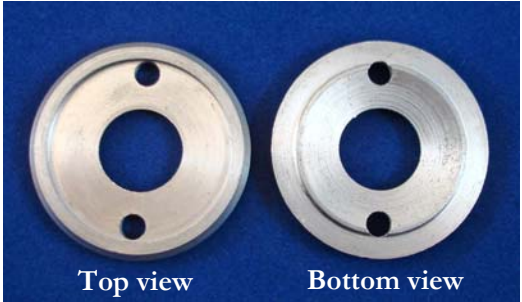
**Note:** All of the items on this page will fit all year Opel GTs as well as the 1968-72 Kadett.



**Leaf Spring End Cap, polyurethane**  
Part # 3079  
This part is used on both ends of the stock GT & Kadett front spring to keep the leafs from rubbing together.



**Bushing, Upper Suspension to Body Cup**  
Part # 3076  
These bushings fit in the cups that locate the upper suspension cross member to the inner fender.



**Upper Shock Mount, repair insert**  
Part # 3048  
If the upper shock mounting on the front suspension has rusted away, this repair insert allow you to repair the damage. Must be welded in place.



**Gasket, Body to Upper Cup**  
Part # 3075  
This gasket is located between the upper suspension locating cup & the under fender housing. Helps to seal out moisture and road debris.



**Front Leaf Spring Saddle**  
Part # 3077  
Front spring support plate. This piece sandwiches between the lower control arm and the front suspension cross member.



**Front Leaf Spring Repair Kit, Rubber parts**  
Part # 3078  
Illustrated above are the nine pieces to re-bush the stock GT or Kadett front leaf spring.  
Note: Does not include the spring eye bushings, 3022 or 3022N



**Spring Eye Bushing, Rubber**  
Part # 3022N  
2 required



**Bump Stop Bushing**  
Part # 3020  
Helps to cushion the lower control arm from hitting the cross member under harsh driving conditions.  
4 required

# ***BRAKES***

*The most important part of any automobile.*

*Without good brakes, you have to ask "What's Stopping You?"*

*If your answer is nothing, or less than great Opel GT Source has the parts to get you down the road in safety.*

*Opels produced from 1968—1974 are now driving with brakes that are at least 40 years old. For optimum reliability and safety new calipers, master cylinders, wheel cylinders and power brake boosters are recommended replacements.*

*New Calipers fit GT, Manta, 1900 and Kadett from 1968-1974.*

*New boosters and Master Cylinders now provide a "big brake" response that is a bolt-on upgrade for original-design classic Opel GT braking systems.*



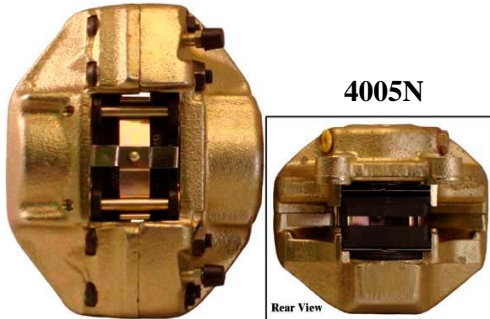


# NEW BRAKE COMPONENTS for your OPEL

## Brake Calipers:

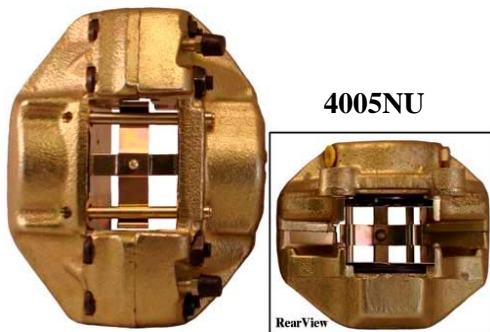
### 4005N BRAKE CALIPER, LOADED: Left or Right

These brand new 48 mm Brake Calipers come loaded with new semi-metallic brake pads and hardware. The calipers are designed to fit all 1968 thru 1973 Opel GT models. They are also designed to fit the 1970 thru 1974 Opel Manta and Manta Rallye. They are also designed to fit the 1968 thru 1972 Opel Kadett & Rallye with front disk brakes. No Core required.



### 4005NU BRAKE CALIPER, UNLOADED: Left or Right

These brand new 48 mm Brake Calipers are sold unloaded for those customers who either already have brake pads or wish to use special brake pad, such as EBC Green stuff. The calipers are identical in design to the 4005N and fit all of the models listed under 4005N. No Core required.



### 4037-9 OPEL GT 9" POWER BRAKE BOOSTER:

These brand new power brake boosters were designed to increase the braking ability of the Opel GT while reducing pedal effort for the driver. These boosters are the largest booster that will fit into the GTs engine bay. Made from all brand new materials. When installed with the #4013-22 Master cylinder, #4005N calipers & #4001 rotors, this provides on-the-road results comparable to a "big brake system" response (without a need to alter original braking components) No Core required.



### 4066 HOSE, MASTER CYLINDER to ELBOW

This special braided brake fluid hose should be replaced every time the master cylinder is serviced.

### 4077 ELBOW, GT FRONT MASTER CYLINDER PORT to RESERVIOR HOSE

These elbow is very vulnerable to damage during master cylinder servicing.

### 4013-22 MASTER CYLINDER, 22mm BIG-BORE:

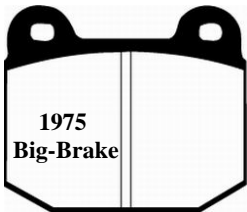
New high-performance 22mm bore master cylinder. European design housing, which does not incorporate the warning failure switch. Fits 1968 – 1973 Opel GT models.

# Brakes: Opel GT, Kadett, Manta & 1900



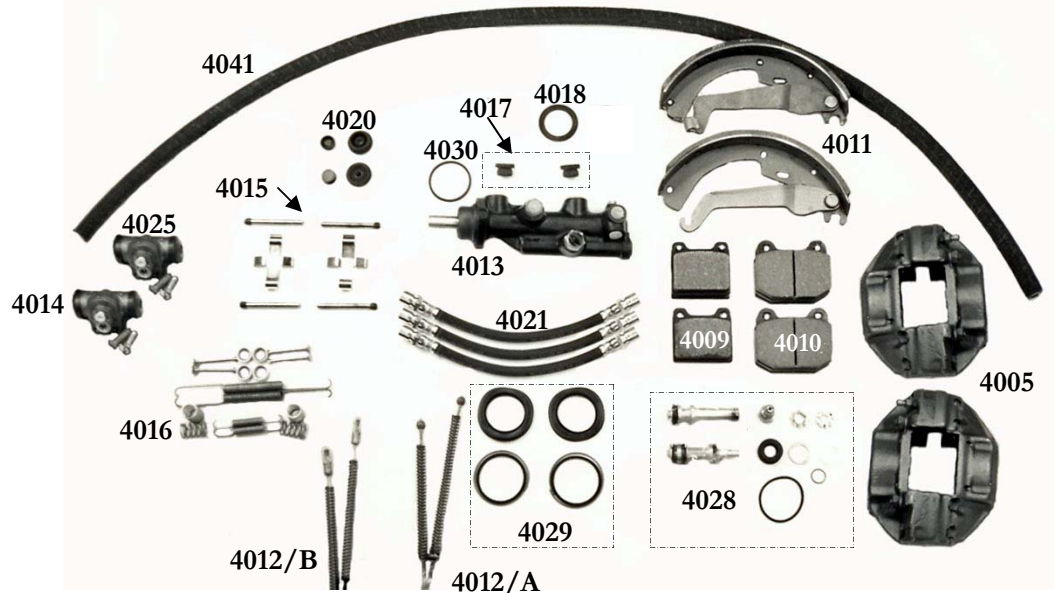
1968-1974

Part # 4009, 4009GS & 4009MM



1975  
Big-Brake

Part # 4010, 4010GS & 4010S



## Brake Rotors:

- 4001** DISK BRAKE ROTOR: Front disk brake rotor. 9 3/8" (237mm). Fits all 1968 -74 Opel: GT, Manta, Kadett & 1900 models.
- 4002** DISK BRAKE ROTOR: Front disk brake rotor. 9 11/16" (246mm) For 1975 big-brake Manta & 1900 models.  
Note: Also used for big-brake conversions on earlier model Opel.
- 4061** BOLT, ROTOR to HUB: Bolt that secures the disk brake rotor to the front hub. Four (4) bolts are required per rotor.
- 12014** TOOL, SERRATED BIT: This tool bit is required to service the brake rotor. 10mm size.

## Brake Calipers:

- 4005-45** BRAKE CALIPER, REBUILT: Rebuilt front disk brake caliper for 1.1L GT & 1.9L Kadett. 45mm piston size. Core required.
  - 4036** BRAKE CALIPER, REBUILT: Rebuilt front disk brake caliper for 1.9L Manta & 1900. 48mm piston size. Core required
  - 4042** BRAKE CALIPER BIG-BRAKE, REBUILT: Rebuilt front disk brake caliper for 1975 Manta & 1900. 48mm piston size.  
Also used for big-brake conversions on earlier Opel models. Core required.
- (Note: When rebuilt calipers are ordered (#4005-45, 4036, 4042) brake caliper cores are required to be returned to Opel GT Source)

## Brake Pads:

- 4009** BRAKE PADS, SEMI-METALLIC: Stock semi-metallic brake pads, specified by Opel.  
Fits all 1968 thru 1974 front brake calipers (4005, 4005-45 & 4036).
- 4009GS** BRAKE PADS, KEVLAR: If you are looking for a brake pad that has great holding power for the street or track, want a brake pads that emits very little brake dust onto your expensive new wheels, then the EBC Kevlar brake pad will be your next purchase. Fits all 1968-74 brake calipers (4005, 4005-45 & 4036).
- 4009MM** BRAKE PADS, METAL MASTER: Back by popular demand, the aggressive stopping power of the Metal Master pads.
- 4010** BRAKE PADS, SEMI-METALLIC: Semi-Metallic brake pads for 1975 Manta & 1900. Also used for big-brake conversions.
- 4010GS** BRAKE PADS, KEVLAR: If you are looking for a brake pad that has great holding power for the street or track, want a brake pads that emits very little brake dust onto your expensive new wheels, then the EBC Kevlar brake pad will be your next purchase. EBC Kevlar brake pads for your 1975 Manta & 1900.
- 4010S** BRAKE PADS, ORGANIC: Organic brake pads for 1975 Manta & 1900. Also used for big-brake conversions.

## Caliper Rebuild Kits & Hardware:

- 4029** 48MM CALIPER REBULD KIT: The 48mm caliper rebuild kit contains two 'O' rings, dust seals and clamps for one caliper
- 4033** 45MM CALIPER REBULD KIT: The 45mm caliper rebuild kit contains two 'O' rings, dust seals and clamps for one caliper
- 4039** 48MM BIG-BRAKE CALIPER REBULD KIT: The 48mm caliper rebuild kit contains two 'O' rings, dust seals and clamps for one caliper.
- 4015** FRONT BRAKE HARDWARE: Comes with four pad retainer pins and two anti-rattle springs.

## Brake Master Cylinder, Kits, Seals & Hardware:

**4013** MASTER CYLINDER, NEW: Master cylinder, NOS ATE. Fits 1968 -73 GT & 1971-early 1973 Manta & 1900 models.

**4013R** MASTER CYLINDER, REBUILT: Rebuilt ATE master cylinder. Fits 1968 -73 GT & 1971-early 1973 Manta & 1900 models.



**4013-22** MASTER CYLINDER, 22mm BIG-BORE: New high-performance 22mm bore master cylinder. European version, that does not incorporate the warning failure switch. Fits 1968 -73 GT & 1971-early 1973 Manta & 1900 models.

**4028** MASTER CYLINDER, REBUILD KIT: Includes the rubber seals, metal pistons and hardware to rebuild the your ATE master cylinder main-bore.

**4040** MASTER CYLINDER, RESEAL KIT: This kit contains the rubber seals only to reseal your ATE master cylinder main-bore.

**4017** RESERVOIR SEALS: Common to leak. These seals are located between the ATE master cylinder body and the fluid reservoir.

**4018** RESERVIOR CAP SEAL: Rubber seal. ATE master cylinder cap.

**4030** SEAL, MASTER CYLINDER to BOOSTER: Common area to leak vacuum.

**4045** MASTER CYLINDER CAP: Reproduction of the Opel GT master cylinder cap. Polished-aluminum reproduction.

**4045A** MASTER CYLINDER CAP: Plastic master cylinder cap. For Manta, 1900 & Kadett with an ATE fluid reservoir. Also fits GT.

## Wheel Cylinders, Hardware & Kits:

**4014** 5/8" REAR WHEEL CYLINDER: New, 5/8" wheel cylinder. Fits all 1.9L 1968-74 Opel GT, Manta, Kadett & 1900 models.

**4025** 3/4" REAR WHEEL CYLINDER: New, 3/4" wheel cylinder. Fits all 1.9L 1968-74 Opel GT, Manta, Kadett & 1900 models.

**4016** DRUM BRAKE HARDWARE: Kit contains all the springs, retainers and pins for both sides. Fits all 1968-75 1.9L models.

**4020** REAR WHEEL CYLINDER, REBUILD KIT: Kit includes two 5/8" rubber piston seals & two dust boots for one wheel cylinder.

## Brake Hoses & Tubing:

**4021** BRAKE HOSE: Rubber brake hose. Fits: all year GT & 68-72 Kadett front and rear. Also fits rear 1971-75 Manta & 1900.

**4031** BRAKE HOSE, ATE: Rubber brake hose. Fits: all year GT & 68-72 Kadett front and rear. Also fits rear 1971-75 Manta & 1900.

**4051** BRAKE HOSE, MANTA: Front rubber brake hose for 1971-75 Manta & 1900. (*Rear brake hose order one part # 4021*)

**4050** GT METAL BRAKE TUBING: This set of steel brake tubing includes all of the hard lines, except the caliper 'J' tubes.

**4044** STAINLESS STEEL BRAKE HOSE, BIG-BRAKE: Three high-performance stainless steel brake hose for big-brake GT/Kadett.

**4044S** STAINLESS STEEL BRAKE HOSE, STOCK CALIPERS: Same as 4044 except for stock calipers for GT/Kadett.

**4044M** STAINLESS STEEL BRAKE HOSE, MANTA: Three high-performance stainless steel brake hose for Manta/1900.

## Brake Shoes & Emergency brake cables:

**4011** BRAKE SHOES: Brake shoes for 1.9L Opels. Available: Folded-Lever type (1968-1971) & Hook-Lever type (1972-1975).

**4022** BRAKE DRUM: New rear brake drum for all 1.9L 1968-1975 Opel: GT, Kadett, Manta & 1900 models.

**4012/A** EMERGENCY BRAKE CABLE: Ball type emergency brake cable for (folded-lever) rear brake shoes.

**4012/B** EMERGENCY BRAKE CABLE: Stirrup type emergency brake cable for (hook-lever) rear brake shoes.

## Brake Booster , Boost Hose & Hardware:

**4019** SEAL, BOOSTER INLET: Fits between the ATE booster body and vacuum fitting. Common area for vacuum leaks.

**4041** BOOSTER HOSE: Reinforced rubber brake-booster hose. Specially designed for the high vacuum condition for brake boosters.

**4053** BOOSTER, VACUUM CHECK-VALVE: The one-way booster vacuum check valve, located near the engine.

**4027** FILTER, ATE BOOSTER: Rear booster-breather inlet filter.



## 4024 BIG-BRAKE PACKAGE

Two brand new big brake rotors, Two rebuilt big brake calipers, with pads and hardware, two 3/4" rear wheel cylinders, and a set of steel braided brake hoses with fittings. Improves braking by 33% over original. This is the "old school" approach to Opel braking. Can not be used with stock 13" GT wheels.

# Lenses / Electrical



# Opel GT Lenses

New Lenses make your GT look like a million dollars.



- 5001** DOME LIGHT LENS: Lens for the interior light. Reproduction. Fits GT & Kadett.
- 5002** RIGHT EUROPEAN FRONT CURVED LENS, AMBER: Gives your car a sleek, European look . Lenses look best when purchased in pairs. Reproduction. **Note:** Does not employ the USA style reflector.
- 5003** LEFT EUROPEAN FRONT CURVED LENS, AMBER: Gives your car a sleek, European look . Lenses look best when purchased in pairs. Reproduction. Does not employ the USA style reflector.
- 5004L** REAR SIDE MARKER, LEFT: Replace your old, oxidized, broken or missing side marker lights with these new bright side markers freshly chrome plated and protected against oxidation. Repro. **Note:** Must reuse you metal hardware.
- 5004R** REAR SIDE MARKER, RIGHT: Replace your old, oxidized, broken or missing side marker lights with these new bright side markers freshly chrome plated and protected against oxidation. Repro. **Note:** Must reuse you metal hardware.
- 5005** RED BRAKE LENS: Replace your old, aged brake light lenses with new bright lenses. Gives your car a newer appearance while making your brake lights brighter and more visible. Reproduction.
- 5006** YELLOW INDICATOR REAR LENS: Replace your old, aged rear turn signal (indicator) lenses with new bright lenses. Gives your car a newer appearance while making your indicator lights brighter and more visible. Reproduction.
- 5007** REAR BRAKE LENS HOUSING: Replace your old, oxidized brake light housing with a new bright housing freshly chrome plated and protected against oxidation. Reproduction. **Note:** Must reuse you metal hardware.
- 5008** REAR INDICATOR LENS HOUSING: Replace your old, oxidized turn signal (indicator) housing with a new bright housing freshly chrome plated and protected against oxidation. Reproduction. **Note:** Must reuse you metal hardware.
- 5009** GASKET: Between tail light lens and tail light housing. Helps keep exhaust gases and dirt from entering lens and car.
- 5010** GASKET: Between tail light housing and body. Helps keep exhaust gases from entering inside car.
- 5011** RIGHT LICENSE PLATE LENS: Replace your old, oxidized license plate lens with a new bright lens freshly chrome plated and protected against oxidation. Fits on the inside end of the right (passenger side) bumper. Reproduction.
- 5012** LEFT LICENSE PLATE LENS: Replace your old, oxidized license plate lens with a new bright lens freshly chrome plated and protected against oxidation. Fits on the inside end of the left (driver side) bumper. Reproduction.
- 5013** REVERSE LENS: Lens under license plate. Chromed plastic sides with a clear lens in the center. Replace your old, faded, and dull lens with this new lens. Reproduction. Fits: 1968-1972 GT.

# Lenses and Electrical

## 8041 REVERSE LIGHT SWITCH

Switch that turns on reverse light when car is put into reverse. 1971-1975.



## 5019 BATTERY BOX, STEEL

Replica of the original

## 5021/5021A VOLTAGE REGULATOR

Original or Aftermarket Styles

## 5022 ALTERNATOR

Rebuilt 35 amp alternator. Plus \$35 Core fee.

5027PM

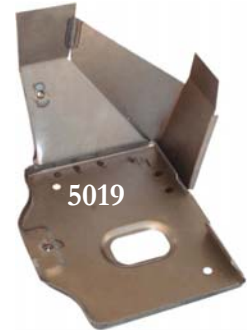


## 5022-45 ALTERNATOR, HI OUTPUT

Rebuilt using Bosch 45 amps internal components. Plus \$35 Core fee.

## 5022-IR ALTERNATOR INTERNALLY REGULATED

Rebuilt Late 80's Opel high output regulated alternator, 45 amps.



## 5025 BATTERY CABLE POSITIVE

From the positive terminal on the battery to the starter.

## 5026 BATTERY CABLE NEGATIVE

Connects chassis ground to negative terminal on the battery.  
Braided steel cable similar to original.

## 5027PM STARTER (Permanent Magnet style)

All New, HP Higher Torque and Lower Weight. No Core Return required.

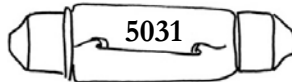
## 5029 FUSE PACK

Contains an assortment of original fuses.

## 5030 GT CLOCK LIGHT BULB.

## 5031 BACK-UP LIGHT BULB

For 1968-1973 GT.



## 5002C RIGHT EUROPEAN FRONT CURVED LENS, CLEAR

Doesn't have the reflector found on the American version. Gives your car a sleek, European look without the reflector. Lenses look best when bought in pairs. Reproduction. Don't forget to order a new bulb today. 5267

## 5003C LEFT EUROPEAN FRONT CURVED LENS, CLEAR

Doesn't have the reflector found on the American version. Gives your car a sleek, European look without the reflector. Lenses look best when bought in pairs. Reproduction. Same as 5002C for the left. Reproduction. Best with a new bulb 5267

## 5036 DASH LIGHT BULB.

For dash gauges.

## 5037 DASH LIGHT BULB

For 1970-1973 dash indicators.

Note: Also use on some 1970-75 Manta & 1900 models in the instrument panel illumination board.



5037



5030



## 5041 GASKET

Between rear side marker and body. Left or right. Reproduction.

## 5042 GASKET

Between front curved lens and front curved housing. Left or right. Reproduction.

## 5043 GASKET

Between front curved housing and body. Left or right. Reproduction.

## 5044 GASKET

Between license lens and bumper housing. Left or right. Reproduction.

## 14001 GT ELECTRICAL SECTION

Black & white copies of the original owner's manual electrical section. Breaks electrical diagram down into 8 separate sections plus has a master schematic diagram. Great assistance to cure your electrical nightmares. 24 total pages.

**5076 DOME LIGHT BULB:** Fits all year Opel GT dome lights and 1968-1972 Kadett dome lights.



# Opel GT Electrical System Upgrades



## GT Ignition Switch

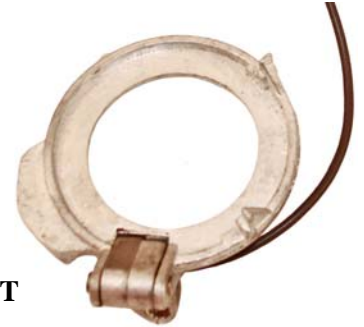
Part # 5060N

Replace your damaged, burned or by-passed ignition switch in your GT with this high-quality reproduction switch.

Often hard-starting and poor starter cranking issues have been caused by the failure of this critical component. Installation instructions available with switch purchase.



## Turn Signal Repair Parts



### Turn Signal Ring, 1969 GT

Part # 5063

Reproduction turn signal ring for the 1969 Opel GT steering column.

### Turn Signal Ring, 1970 thru 1973 GT

Part # 5064

Reproduction turn signal ring for the 1970 thru 1973 Opel GT steering column. Includes the momentary contact switch for the high/low beam selector.



## GT Oil Temperature / GT Volt Meter with Oil Temperature Sender

Part # 5052

This dual gauge is designed to match your existing original GT gauges, and is designed to fit in the original clock location. This attractive gauge compliments your GT interior and allows you to monitor engines vitals.

Observe alternator voltage output and actual engine oil temperature.

**Note:** Knowing just how hot your engine oil temperature is, is a critical factor in checking and properly maintaining oil viscosity.

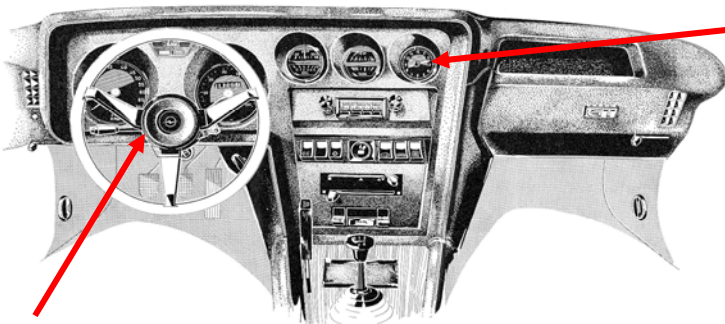
Comes complete with oil temperature sending unit. Part # 5054

### Oil Temperature Sender

Part # 5054

Replacement engine oil temperature sender for part number 5052.

Note: Installs in oil pump priming hole on LHS of timing cover.



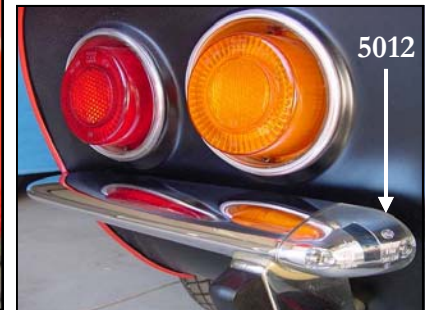
**Oil Temperature/Volt Instrument fits here, in place of the original clock.**

# New, Reproduction Lenses for the Rear of your GT



New lenses both enhance the appearance of your Opel, as well as making your Opel more visible at night. Replace faded, cracked or foggy lenses and housings with new reproduction lenses.

5012, Left license lens is shown below.



**Red Brake Lens, Part # 5005**

**Indicator Amber Brake Lens, Part # 5006**

**Brake Housing, Part # 5007 (must reuse your lamp holder bracket)**

**Indicator Housing, Part # 5008 (must reuse your lamp holder bracket)**

**Left Rear Side Marker, Part # 5004L (must reuse your lamp holder bracket)**

**Right Rear Side Marker, Part # 5004R (must reuse your lamp holder bracket)**

**Right License Plate Lens, Part # 5011**

**Left License Plate Lens, Part # 5012**

**Reverse Lamp Lens, Part # 5013**

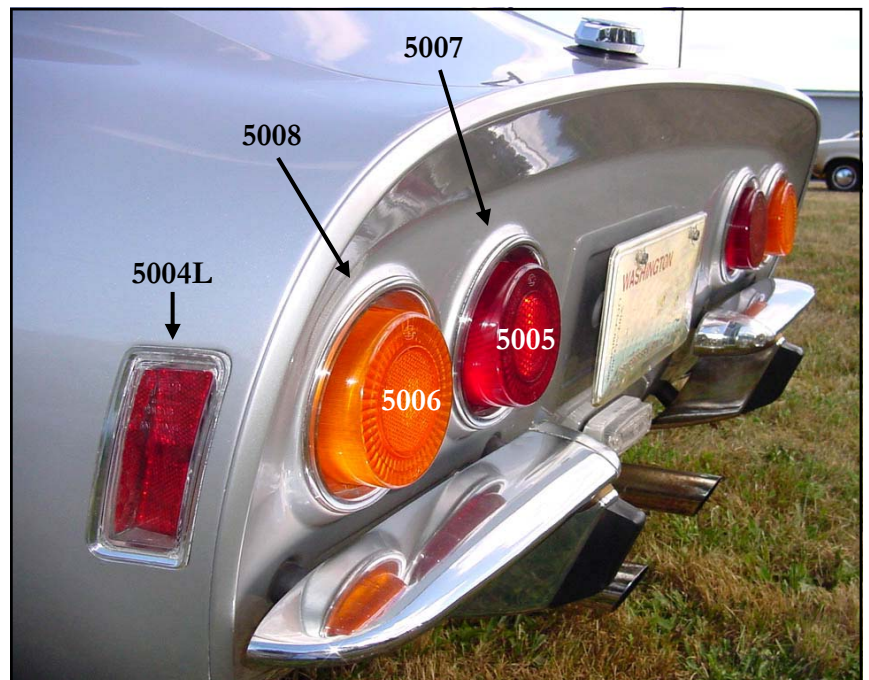
**Lens Gaskets are also available.**

**Gasket, Tail Lens to Tail Lamp Housing**  
Part # 5009

**Gasket, Tail Lamp Housing to Body**  
Part # 5010

**Gasket, Side Marker to Body**  
Part # 5041

**Gasket, License Lens to Housing**  
Part # 5044



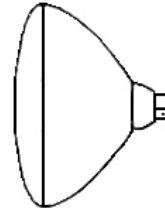


# H4 Halogen Head Lamps, Opel GT, Kadett & Ascona



**Halogen Head Lamp Kit**  
Part # 5016A

Do you have trouble safely seeing the road at night? Are your old headlamps looking dull? Do you want to go with halogen head lamps and you're on a budget? Then these aftermarket halogen head lamps are a good upgrade. Comes with 2 halogen 55/60 watt bulbs. These are classic style H-4 lamps with the rounded face profile unlike the Hella H-4 with the flatter Face. Will fit the 1968-73 Opel GT, 1966-72 Kadett and the 1971-75 Ascona.



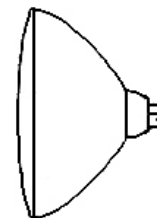
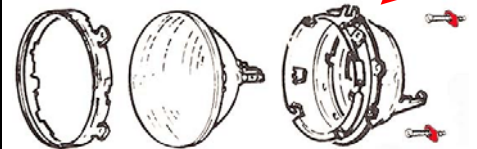
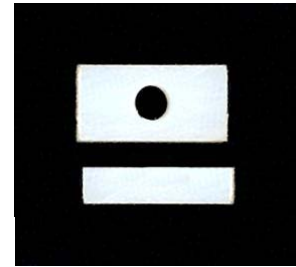
Side Profile, 5016A

## Head Lamp Adjuster Nut, GT

Part # 5069

This small block of threaded nylon is used to aim and adjust your head-lights properly.

If your head light will not properly adjust, most likely this nut is stripped.



Side Profile, 5016

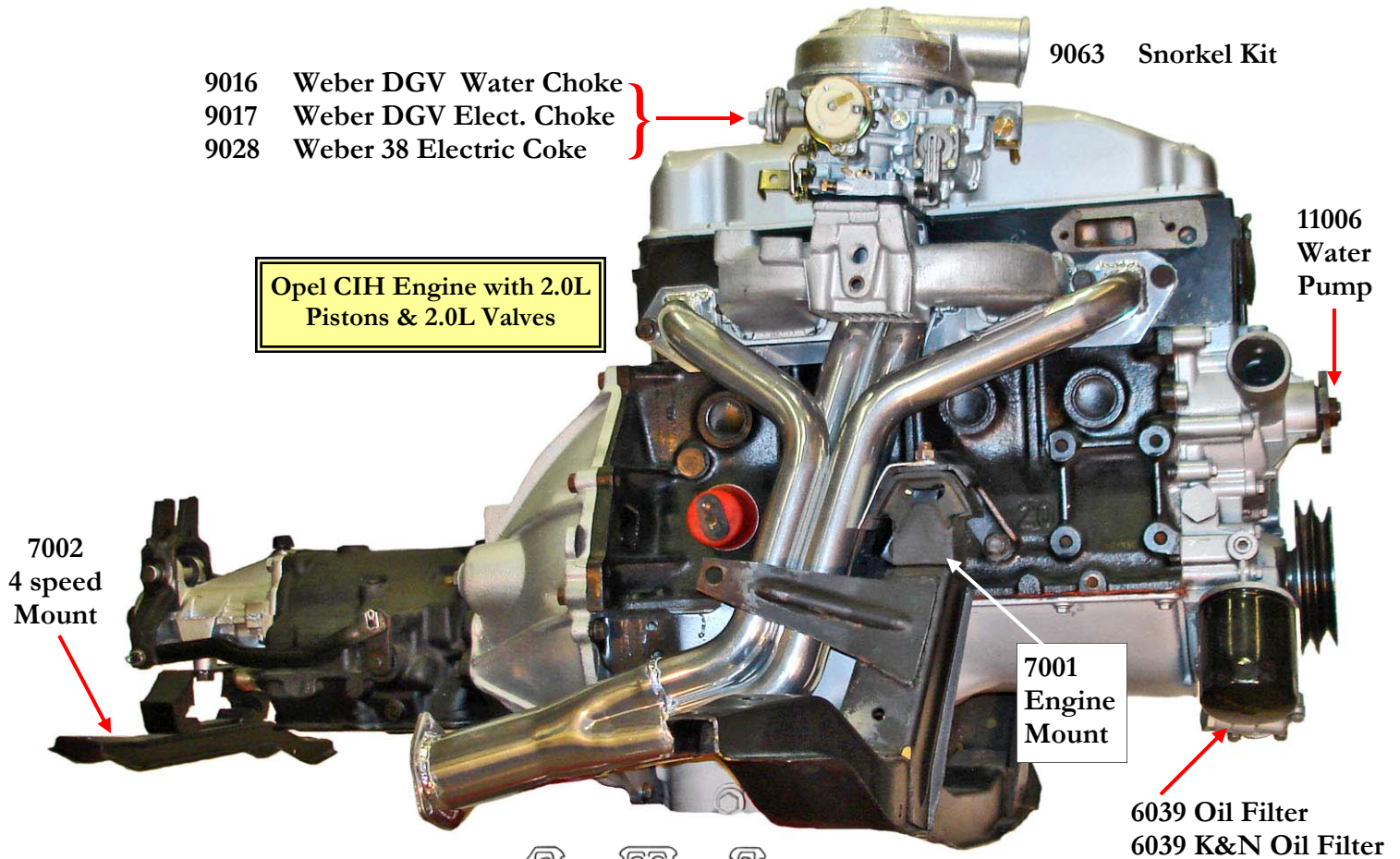
**Hella H- 4 D.O.T. Halogen Head Lamp Kit**  
Part # 5016

When you ask for the best name in European lighting you ask for Hella. Hella makes some of the best automotive head lamp optics in the world and deliver a glare free beam pattern on the road ahead. These H-4 halogen head lamps are an excellent upgrade for your Opel. Comes with two halogen 55/65 watt bulbs. D.O.T. Approved.

Will fit the 1968-73 Opel GT, 1966-72 Kadett and the 1971-75 Ascona.

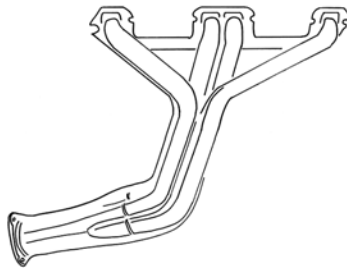
# OPEL ENGINE & PARTS SECTION

## Looking to Re-Build your Engine?



Opel GT Header, Raw Steel  
Part # 11023

Opel GT Header, Ceramic Coated  
Part # 11024



This 4 into 1 Opel GT header was specifically designed to clear the most commonly used Opel and aftermarket intake manifolds used on the 1.9L to 2.4L CIH Opel GT engines.

**Will fit:** Stock 1.9L intake manifold, Irmscher dual side draft manifolds, most longer dual side draft manifolds (with some trimming) such as Cannon, Steinmetz single side draft manifold and others, 1975 EFI manifold, 2.0L EFI manifold and the 2.2L EFI manifolds.

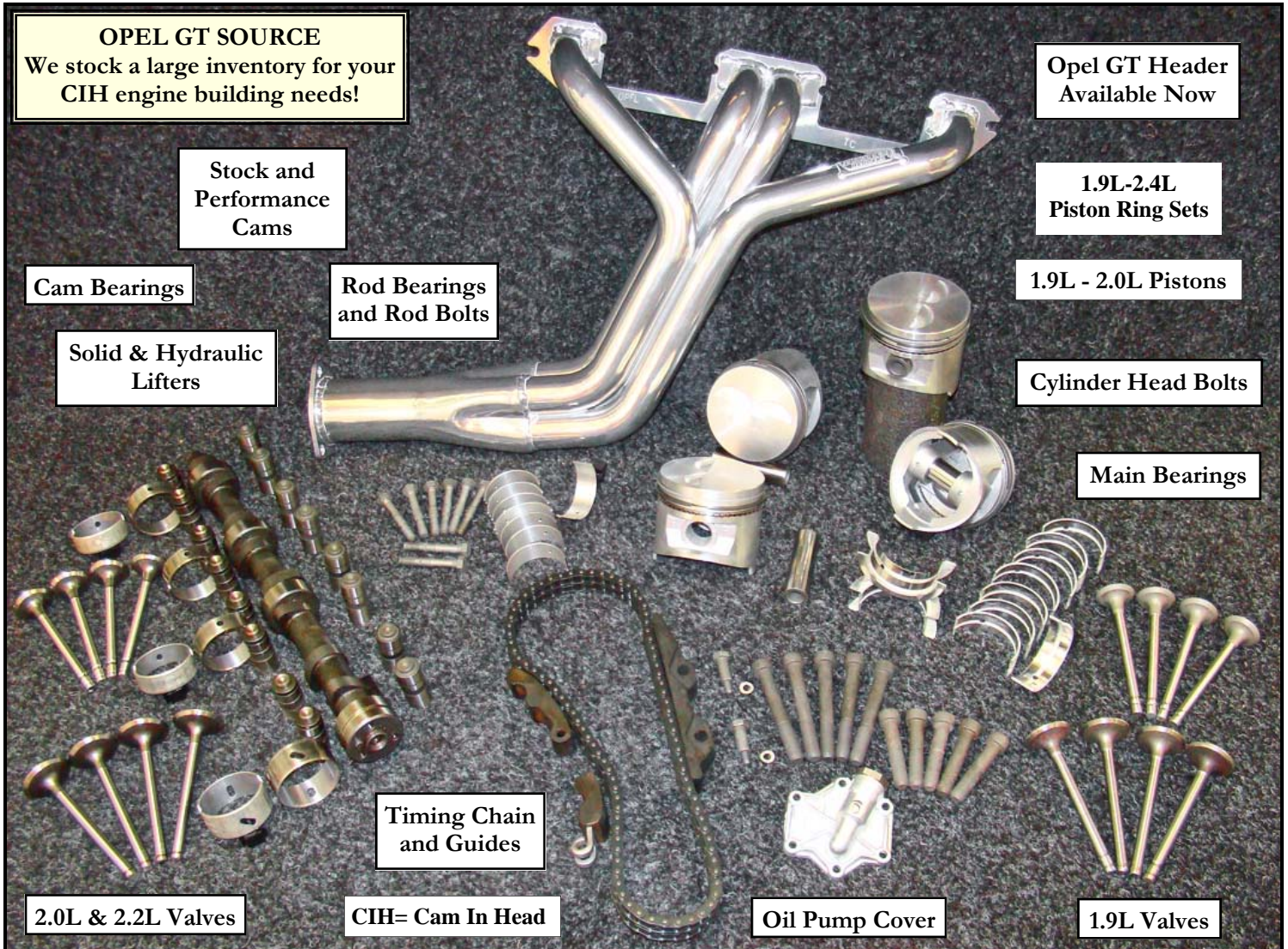
Header Gasket  
Part # 10012



Are you tired of constantly needing to replacing your leaking header gasket? Is your header flange uneven? Then our new header gasket, made of modern high tech "Remflex" material, will seal those pesky exhaust leaks.

# OPEL CIH PERFORMANCE ENGINE PARTS

Have you been looking for a Performance upgrade for your tired 1.9L engine? Are you looking for proven performance parts? Then its time to build up your tired, worn out 1.9L into a fresh, "HOT" 2.0L engine using 2.0L pistons and 2.0L valves.



## 2.0L Engine Components

- Upgrade your 1.9L into a 2.0L -

### 2.0L Pistons

**Part # 6132**

These 2.0L pistons, include rings and pins, will increase your engines horsepower by up to 20 hp.

Allows you to retain your stock rods and crankshaft.

The perfect upgrade for the low compression, low horsepower 1.9L engine.

An easy and effective upgrade for your 1.9L.

Increases the compression ratio to 9.4 : 1

### 2.0L Valves

**Part # 6154 & 6155 (Vkit 2.0)**

These 2.0L valves can be installed into your 1971 to 1975 1.9L cylinder head to increase the flow.

Allows you to retain your cam and lifters.

The complementary upgrade for your 2.0L pistons.

An easy & effective upgrade for your 1.9L engine build.

# 1.9L & 2.0L OPEL CIH PISTONS

A professional engine rebuild requires high quality pistons like the ones we offer at Opel GT Source. Opel originally specified high performance pistons to handle the 6000 rpm redline of the CIH engines. We offer quality hypereutectic 1.9L and 2.0L pistons with 9.0 and 9.4 to 1 compression ratios respectively.

## Better Parts = Better Performance

Hypereutectic pistons have harder and shinier surfaces with lower expansion properties, allowing you to run tighter piston-to-cylinder-wall clearances. Unlike the early standard cast pistons used in low RPM revving V-8 passenger cars.

### 1.9L Piston set (93mm Bore)

Part # 6052 (specify size when ordering)

1.9L Pistons include rings and pins. 9.0 to 1 Compression ratio.

1.9L pistons are available in the following sizes:

Standard, 0.020", 0.030" & 0.040" (Std, .5mm, .75mm & 1.0mm)

### 2.0L Piston Set (95mm Bore)

Part # 6132 set of 4

2.0L Pistons include rings and pins. 9.4 to 1 Compression ratio.

2.0L pistons are available in Standard size only.

Oversize 2.0L pistons available by special order only.



# 1.9L OPEL CIH VALVES

## 1.9L Valves Individual

### 1.9L Intake Valve (Std. Stem).

Part # 6062

1.9L intake valve, 40 mm diameter. Specify year of cylinder head.

### 1.9L Exhaust Valve (Std. Stem).

Part # 6063

1.9L exhaust valve, 33 mm diameter. Specify year of cylinder head.



## 1971-75 1.9L Valve Sets

### 1.9L Intake & Exhaust Valve Set

Part # VKIT1.9

You get, 4x 1.9L Intake valves and 4x 1.9L Exhaust valves.

**Standard stem size.**

### 1.9L Intake & Exhaust Valve Set

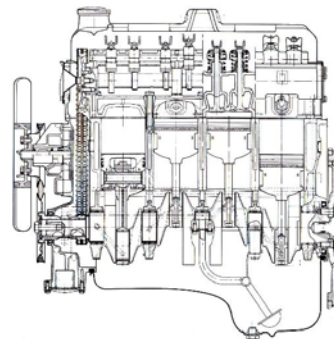
Part # VKIT1.9-1

Same as above but with **0.075 mm OS stem size.**

### 1.9L Intake & Exhaust Valve Set

Part # VKIT1.9-2

Same as above but with **0.150 mm OS stem size.**



Many more items are available for your Opel  
1.9 to 2.4L CIH engine.

Please refer to our "part list" or the  
Opel GT Source website for more details.

# 2.0L OPEL CIH VALVES

## 2.0L Valves Individual

### **2.0L Intake Valve (Std. Stem)**

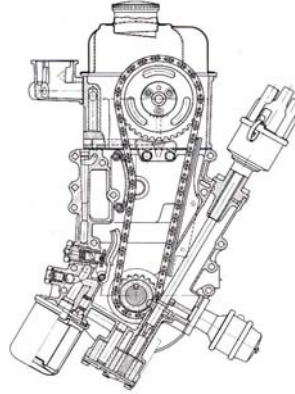
Part # 6154

2.0L intake valve, 42 mm diameter.

### **2.0L Exhaust Valve (Std. Stem)**

Part # 6155

2.0L exhaust valve, 36 mm diameter.



## 2.0L Valves Sets

### **2.0L Intake & Exhaust Valve Set**

Part # VKIT2.0

You get, 4x 2.0L Intake valves and 4x 2.0L Exhaust valves.  
In standard stem size.

### **2.0L Intake & Exhaust Valve Set**

Part # VKIT2.0-1

Same as above but with 0.075 mm OS stem size.

### **2.0L Intake & Exhaust Valve Set**

Part # VKIT2.0-2 0

Same as above but with 0.15 mm OS stem size.

#### **Valve Head Sizes:**

	<u>Intake</u>	<u>Exhaust</u>
<u>1.9L</u>	40 mm	33 mm
<u>2.0L</u>	42 mm	36 mm
<u>2.2L</u>	45 mm	40 mm
<u>2.4L</u>	45 mm	40 mm

# 2.2L & 2.4L OPEL CIH VALVES

## 2.2 - 2.4L Valves Individual

### **2.2-2.4L Intake Valve (Std. Stem)**

Part # 2.2IN

2.2-2.4L intake valve, 45 mm diameter.

### **2.2L Exhaust Valve (Std. Stem)**

Part # 2.2EX

2.2-2.4L exhaust valve. 40 mm diameter.

## 2.2 - 2.4L Valves Sets

### **2.2-2.4L Intake & Exhaust Valve Set**

Part # VKIT2.2

You get, 4x 2.2-2.4L Intake valves and 4x 2.2-2.4L Exhaust valves. In standard stem size.

### **2.2-2.4L Intake & Exhaust Valve Set**

Part # VKIT2.2-1

Same as above but with **0.075 mm OS stem size.**

#### **1.9-2.2L Rod & Main Bearing Size Availability**

**Rod:** Part # 6054

Standard, 0.010", 0.020", 0.030" & 0.040"

Standard, .25mm, .5mm, .75mm & 1.0mm

**Main:** Part # 6055

Standard, 0.010", 0.020", 0.030" & 0.040"

Standard, .25mm, .5mm, .75mm & 1.0mm

More details see "part list" or our website

Many additional items are available for the Opel 1.9L to 2.4L CIH engine. We also carry parts for the 1.0L, 1.1L and 1.5L Please refer to the main Opel GT Source part list or website for additional details.

# Today's Solutions for Yesterdays Problems



## Header Gasket

Part # 10012

Are you tired of constantly needing to replacing your leaking header gasket? Is your header flange uneven? Then our new header gasket, made of modern high tech "Remflex" material, will seal those pesky exhaust leaks.

### Tech:

After 70 plus years of trouble free, metal-to-metal engine protection, the E.P.A. is forcing ZDDP ( Zinc Dialkyl-Dithio-Phosphate which is, Zinc & Phosphorus ) to be removed from domestic motor oil. Our Opel engines were designed with conventional solid or hydraulic flat tappet lifters which require the friction modifier ZDDP to avoid premature lifter and cam deterioration.

The EPA has put stricter emission requirements on new cars, which have influenced manufacturers to remove ZDDP from motor oils. Opel specified 'SE' high quality engine oils and made specific mention to use detergent oils. The modern 'SM' grade oils have greatly reduced amounts of these Opel specified qualities.

## Comp Cams Engine Break-In Oil Additive

Part # 6170

Use this 12 ounce bottle when ever you install a new lifters or cam shaft in your Opel engine, for proper engine break-in.

Comp Cams Engine Break-In Oil Additive adds the proper amount of friction modifier required during proper engine break-in to prevent premature cam shaft and lifter failure.

Recommended when installing a new cam, lifters as well as for any rebuild.

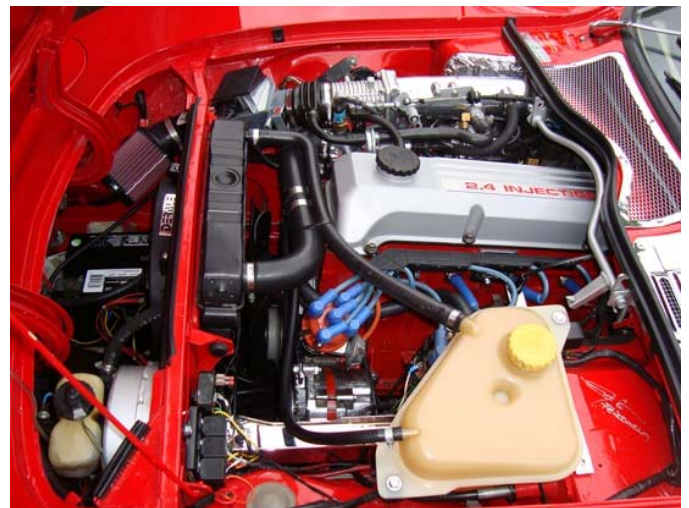
Can be used during each oil change for continued protection, of your vital Opel's engine components.



## ZDDP Plus

Part # 6171

Perfect to use with each oil change. Use this convenient 4 ounce bottle of ZDDP Plus to obtain the correct Opel factory recommended levels of ZDDP in your 4 quart Opel engine.



# Filtration Upgrades



9024K&N

6039K&N



## K&N Oil Filter

part # 6039K&N

The K&N Performance Gold oil filter has been constructed from the ground up to satisfy the needs for performance cars, race cars, and your daily driver.

The quality isn't just on the outside... the inner resin impregnated filter traps contaminants as small as 10 to 20 microns. K&N also uses metal inner end caps instead of paper to insure that no unfiltered oil can get back into the system. This solid construction and high quality element allows for oil flow rates between 12 to 16 gallons per minute.

Also features a sturdy 1" wrench nut on the outside, that has a hole for running racing safety wire.

**Fits all: 1.1L OHC, 1.9L, 2.0L, 2.2L & the 2.4L CIH Opel engines.**

## K&N Air Filter for 1971 - 1973 GT

Part # 9024K&N

K&N High-Flow GT 1971-73 stock air filter element. Washable & Re-usable! K&N manufactures serious air filters completely unlike traditional disposable filters. Instead of paper, K&N uses 4 to 6 layers of cotton gauze placed between bonded aluminum wire screen. K&N then applies a specially formulated oil to enhance dirt retention and filtering efficiency. **Note:** This will probably be the last filter you will ever need to buy for your GT! That is if you do the recommended regular filter maintenance suggested by K&N. Some have gone as much as a million miles!!

## What's The Big Deal About Air Flow?

Everything! More air entering the engine can increase combustion efficiency, resulting in more power & acceleration. K&N designed their air filters to reduce air restriction allowing your engine to breathe more air.



9063

## Weber Snorkel Kit

Part # 9063

Designed for use with 32/36 or 38 series Weber carburetors. Allows you to retain the stock Opel GT air cleaner canister lid and base, along with the 9052 boot. The advantage is cooler intake air and quieter under hood noise. Works best in situations where the standard 9019 adapter will not clear the hood. Also works well with 2.2L and 2.4L carbureted engine conversions for best hood clearance! Comes with instructions as well as a PCV elbow that you may install at your option. **Note:** Drilling required to install elbow.

This kit is also a great starting point to design your own custom cold air system for your, Ascona, Manta, Kadett or GT.



Above: Stock 1.9L GT with the adapter left in natural aluminum.

Above: Stock 1.9L GT with the adapter painted black.

# Electronic Points Conversion Ignition kits for your Opel Distributor

Tired of wasting gasoline and needing frequent tune-ups? Has your antique points ignition system cost you performance and mileage, or worse left you and your beloved Opel stranded? Are you looking for a convenient way to upgrade your ignition system?

Then it's time to upgrade your Opel's distributor with an electronic ignition system. Both the Crane and Pertronics ignition kits will replace your points while allowing you to retain your stock distributor, cap and rotor. An easy drop in solution to the troublesome ignition points system.



## Crane Optical Points Conversion Ignition

Part # 6122

The Crane points conversion ignition will allow you to replace the trouble-prone points and condenser while retaining your original distributor, cap, rotor, spark plug wires and spark plugs. Installs in approximately one hour. Comes with detailed instructions.

Fits both 1968-1970 1.1 & 1968-1975 1.9L distributors.



## Pertronics Points Conversion Ignition

Part # 6165

The Pertronics points conversion ignition will allow you to quickly replace those trouble prone ignition points and condenser while retaining your original distributor, cap, rotor, spark plug wires and spark plugs. Installs in less than one hour. Comes with detailed instructions.

Fits both 1968-1970 1.1 & 1968-1975 1.9L distributors.

### Opel Recommended Minimum Tune Up Intervals:

Replace Spark Plugs, Points, Condenser, Set Dwell & Timing every 6,000 to 12,000 miles

Replace Air Filter, Fuel Filter every 12,000 miles

Replace Spark Plug Wires every 24,000 miles

The above recommendations are listed in the Opel Factory Maintenance Schedule which was part of the new car warranty package.

This log book was also used for dealer warranty claims.



# Basic 1.9L Tune Up Parts

## Ignition Points, 1968 - 1974

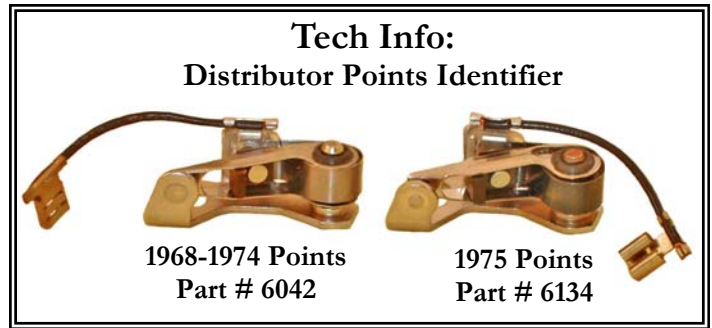
Part # 6042

For better fuel economy and more power replace those worn out points every 6000 to 12,000 miles with a fresh set.

## Ignition Points, 1975

Part # 6134

Proper replacement if you have a your 1975 EFI distributor.



## 6039 OIL FILTER

High Quality filter.

## 6041 DISTRIBUTOR CAP AND ROTOR

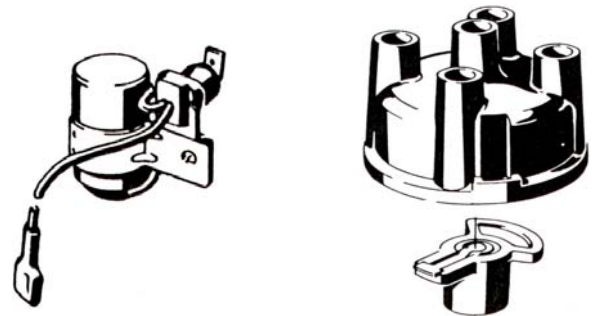
Specify year of application.

## 6043 CONDENSOR

Specify round or square distributor entry hole.

## 6078 DISTRIBUTOR CAP, COLORED

Transparent cover. Specify color: red, yellow, blue. Fits 1970-75.



## Opel 1.9 Engine Tune-Up Specifications

Spark Plug Gap: .030" Ignition Point Gap: .018" or 50 degrees dwell (+/- 2 degrees on a dwell meter)

Spark Plug Firing Order (Clockwise) 1-3-4-2 (#1 Spark Plug, is at engine block front, closest to radiator)

Timing: Set at Zero degrees TDC (with vacuum lines removed from distributor and hoses plugged).

(Timing also requires correct alignment of engine timing marks. Also verify there are no vacuum leaks)

Engine Compression: Factory minimum listed as 134psi; Engines run best from 136 to 180psi.

## Champion Spark Plug, each

Part # 6040

Looking for dependable performance at an affordable price?

Choose Champion Copper Plus spark plugs for your Opel motor.

Available for high or low compression engines.



## NGK Spark Plugs, Set of 4

Part # 6163, set of 4 plugs

Looking for a higher performance spark plug?

Then consider NGK copper core spark plugs for your Opel CIH engine.



# Updating Your Opel with New Technology

As our Opels become older, it becomes more and more difficult to find new original Opel parts to keep our cars on the road. As the need for parts arises due to discontinuations from the factory, we step forward to have these parts remanufactured, but with one slight difference. If there are better materials available than what the car was originally equipped with, we will use them instead. One such example is the polyurethane control arm bushings. Polyurethane, unlike rubber, is not as sensitive to the environment and will last many years longer providing reliable service.

## WHY PERFORMANCE PARTS?

**ANTI-SWAY BARS:** The Opel GT was originally designed to use front and rear anti-sway bars. For some reason, General Motors marketing made the decision that Americans do not want (or do not like) cars that have a firm performance ride. In Europe 80% of the GTs came with front and rear anti-sway bars. We at Opel GT Source strongly urge you to consider installing anti-sway bars on your car. These bars will add stability during cornering without adversely affecting ride quality. The anti-sway bars we offer are larger in diameter than the original anti-sway bars, providing better performance. You will find that your GT is already equipped with all the body mounting locations, and some US GTs even have the anti-sway bar mounting locations on the front and rear suspensions. The difference you will feel when driving on a winding road is night and day in comparison with not having anti-sway bars. So if you think your GT handles great? Now, just imagine what it will be like with anti-sway bars!

**POLYURETHANE FRONT AND REAR SUSPENSION BUSHINGS:** Why polyurethane and not Delrin or Teflon?

**TEFLON:** Teflon is an excellent lubricant. It is also an excellent insulator, but it is a terrible bushing material. Teflon "cold flows", which means that the bushing inner sleeve will soon be in contact with the outer sleeve because, not unlike soft clay or any other semi-liquid like material, Teflon will actually change its shape when under stress or pressure.

**DELTRIN:** Delrin makes a great bushing material as long as it is never subjected to water or high stress. It is "hydroscopic", which means that it can absorb water and swell up, and when used as a control arm bushing, can cause the suspension to bind. It also has no memory, so that when it is stressed to the point where its shape changes, it will not return to its original shape, unlike polyurethane or rubber.

**POLYURETHANE:** Polyurethane makes an excellent suspension bushing without the drawbacks rubber has. Polyurethane is not affected by atmospheric chemicals that dry out and deteriorate rubber. But like rubber, polyurethane has excellent memory. Another benefit is that it does not change its shape in extreme weather conditions. The bushings we use for the Opel GTs work differently from the way the rubber bushings worked. The rubber bushings relied on the inner sleeve not moving and the outer sleeve moving. The give was in the elasticity of the rubber. As you can imagine, when rubber gets hard and dries out, it doesn't have much elasticity and therefore doesn't work properly. On the other hand, polyurethane does not work on the elasticity property of the bushing, but rather acts as a bearing. The bushing stays solid to the outer sleeve and rotates on the outside of the fixed inner sleeve. To prevent squeaking, we include special water-proof Teflon grease. We offer two hardnesses for the front suspension bushings: A soft compound that measures 95 on the Durometer "A" scale for street application and a hard compound, 70 on the Durometer "D" scale for high-performance applications.

**WHEELS AND TIRES:** As you'll notice in this catalog, we offer 15 & 16" diameter wheels. You might find this odd considering the car was originally equipped with 13" wheels. We have found that using 15 or 16 wheels with a 50 or 45 series tire respectively not only makes the car look great but makes it handle as good as it looks. Going from a 13" wheel to a 15" wheel is called "plus 2", to a 16" would be a "plus 3". Which means you decrease the sidewall each time you increase the wheel by diameter, taking into consideration the actual rolling diameter of the wheel and tire.

**BIG BRAKES:** Big brakes are essential whenever you increase horsepower. A simple rule: "you have to be able to stop as fast as you can go!" Four wheel disc brakes are not required on a GT until you exceed 150 HP. These brakes are as effective as they are expensive! Never use cheap reproductions instead of quality brake parts. Your life is worth more than what you'll save.

**H-4 HEADLIGHTS:** Available are DOT & European halogen headlights that allow you to see better at night than conventional sealed beams. The original Opel sealed beam lights were never as bright as they were intended to be. All European GTs were equipped with H-3 headlights. However, at the time that Opel was building the GT, halogen lights were illegal in the USA. Changing over to H-4 headlights truly is a bright idea.

**HAND-LAYED FIBERGLASS:** The reason we use hand-layed fiberglass over any other type of fiberglass is to provide you with the highest quality product available. Hand laid fiberglass has a uniform thickness, and is very strong and light. It is less likely to develop stress cracks over the years than fiberglass parts made using the "chopper gun" process. It is unfortunate that there are still companies that make fiberglass products using the chopper gun method since in the long term, their fiberglass will begin to deteriorate and crack. Besides this, the chopper gun method has very uneven surfaces, making them difficult to install. Another drawback is that the parts wind up being very heavy due to the amount of material needed to make the part strong.

**HEAVY DUTY COOLING SYSTEM:** Too much heat is your engine's worst enemy. Keep your engine cool even on the hottest days. Opel GT Source has developed and tested two different radiator designs: The 3 row HD design works well on GTs with stock or 2.0L engines without air conditioning, the second design is intended for the hottest US climates running Air Conditioning or the larger 2.2L or 2.4L Opel CIH engines. **The larger the engine or Higher the HP rating, the larger a radiator you will need.** When an Opel engine overheats, it typically warps the cylinder head and in some cases can even crack the cylinder head. Prevent this from ever happening to your car by installing a heavy duty cooling system, especially if you live in a hot climate!

**GETRAG FIVE SPEED TRANSMISSION:** If you have ever been out on the freeway and found yourself shifting into an imaginary fifth gear, finding all you can do is go back into fourth, then you have already experienced the need for a five speed transmission. The five speed Getrag we sell is an original Opel part. First through fourth gears are almost identical to the standard Opel four speed. Fifth gear is an over-drive with a 0.804 : 1 ratio. The shift linkage on the Getrag five speed is smooth, crisp and requires minimal effort to drive it to its full potential. Installation is easy and typically can be done in an afternoon. Modification to the linkage and a special driveshaft are required and can be ordered through us.

# Choosing The Right Opel Engine For Your Needs

Opel engines have come a long way since the 1970s. Opel spent millions of dollars improving the performance of their 4 cylinder engines, with improvements such as Motronic fuel injection, larger engine displacement, and radically improved cylinder heads. These engines provide more torque and horsepower without sacrificing low exhaust emissions.

In 1976, Opel introduced the 2.0L Cam In Head (CIH) engine. The 2.0L was a redesign of the 1.9L and featured a larger bore and larger valves in the cylinder head. In 1984, Opel introduced the 2.2L engine in the Opel Rekord. The 2.2L featured a 7.5 mm longer stroke than the 2.0L and a completely redesigned big valve head that worked with a special Bosch LE Jetronic fuel injection system. A few years later Opel introduced a 2.4L engine in the Omega A. The 2.4L featured an even larger 15 mm stroke than the 2.0L. Opel enthusiasts in Europe were quick to convert over to these engines and suddenly found themselves piloting Autobahn rockets that were giving Porsche drivers a run for their money, something a 1.9L was never able to do.

Opel 1.9L engines were designed to run on leaded fuel to keep the exhaust valves from damaging the cylinder head. However, starting in 1992, the United States completely banned the use of leaded gasoline. This means that we should be concerned with how to keep our engines from being damaged by the lack of lead in the fuel. The first option is to add a lead substitute product to each tank full, per the bottles instructions. Fortunately, the Opel cylinder head can be reworked to have hardened exhaust seats installed, making it possible to run on unleaded fuel safely. Note: 1971-1975 cylinder heads were designed to use low lead or unleaded fuel, see original owners manual.

## GETTING POWER FROM AN OPEL ENGINE AND PASS A SMOG CHECK TOO!

**CYLINDER HEAD:** The cylinder head is the key in getting more power out of an Opel engine. Increasing the size of the intake and exhaust valves and port matching the intake and exhaust ports are the first steps in getting the most power out of your Opel engine. Polishing the exhaust ports and leaving the intake ports rough cut is advised for street application. There are a number of places that specialize in building big valve, ported, polished Opel heads that will run on unleaded. Note: If you are using flat top 1.9L pistons, you may need to have the piston valve relief's fly cut in order to prevent the valves from hitting the pistons.

**2.0L CYLINDER HEAD:** Acquiring or building a cylinder head with 2.0 parts is a long-proven method of achieving a significant power improvement over the 1.9L head. This not only promotes better breathing through enlarged valve sizes but when well-machined it also provides the best platform for installation of a performance camshaft. You can also improve the camshaft oil bath by adding an oil dam in the oil return hole. This is a big advantage over the stock 1.9L cylinder head when you are using hydraulic lifters. Building a 2.0L head is the best starting point for assembling a performance 1.9L or 2.0L Opel engine.

**INTAKE AND EXHAUST SYSTEMS:** In order to pass state smog requirements, these two items cannot be tampered with. However, they are crucial to obtaining maximum performance from your Opel engine. For a street engine, fuel injection cannot be beat for power, performance and fuel economy. The only thing that will give you more power, in a normally aspirated form, is properly tuned dual side draft Webers. The major draw backs to dual side drafts are poor fuel economy and the need to constantly fuss with them. There is a simpler and less costly solution than fuel injection or dual carbs, and that is the use of a Weber 38 DGAS or 38 DGES performance down draft carburetor. This very simple carburetor bolts directly to your stock intake manifold and linkage and provides reliable performance. The 38 DGAS/ES should only be used on a well-built engine. Port matching the intake manifold to the carburetor base plate will provide the best performance.

**TURBOCHARGERS:** When it comes to turbo charging an Opel engine, I suggest the use of lap top programmable fuel injected system on a purpose built engine with no more than a 7.6:1 compression ratio. Always use an intercooler and keep boost pressures under 6 psi. Although there are no turbocharger kits available for the Opel GT, they are not very complicated to build. In this configuration, double the rated horsepower is not unusual Note: Never turbo charge a tired or worn out engine.

**SHORT BLOCK:** This is the most important decision in regards to getting the most torque and horsepower out of your engine. Remember the old adage "There is no substitute for cubic inches." For a little more than the cost of rebuilding a 1.9L using all new parts, you can buy a 2.2L that will give you approximately 35% more torque and horsepower. And if you are like me, if there is something bigger available, why not go all the way? And that is where the 2.4L comes in. This engine can not be beat by any Opel CIH four cylinder for torque and horsepower.

**CAMSHAFTS AND VALVE SPRINGS:** The camshaft can not be modified in order to pass smog requirements. But again, changing cam profiles can give you considerably greater horsepower and larger power bands. Note: If you decide to go with a Cam shaft with greater than .430" lift, is valve spring bind can occur. Have your machine shop check for spring bind before you install your performance cylinder head. Note: We do not recommend the use of a large cam with fuel injection.

**CLUTCH:** The stock Opel clutch works fine up to about 120 horsepower. From 121 to 200 horsepower, you should use the 2.2-2.4L clutch assembly. This means you will need the 2.2 flywheel, clutch, and pressure plate. The release bearing remains the same. The 2.2-2.4L clutch has about 35% more surface area.

**BRAKES:** Making a car go faster also means you are going to have to find a way to stop it. For horsepower in excess of 120 hp but not more than 150 hp, you should use the big brake package which includes the 1975 style rotors and calipers for the front, and 3/4" rear wheel cylinders. For horsepower in excess of 150 hp but not greater than 210 hp, you will need the four wheel disc brake package With ventilated front brake rotors.

**SUMMARY:** Remember the power of an Opel engine lays in the cylinder head and intake & exhaust systems you choose. Torque and the ability to get more horsepower depends on cubic inches, or CCs. The more CCs, the more power you will have. Acceleration from a standing stop is a result of torque. The more torque, the faster across a traffic light. Once you're moving, horsepower gets you where you want to go faster. More power adds more stress on your radiator, clutch, transmission and driveline, so make sure your Opel can handle the added power and most importantly, make sure that you can stop as quickly as you can go.

# ENGINE

## 6002 COMPLETE GASKET SET

1968-1972, 1.9L with 10 bolt head gasket.

## 6003 COMPLETE GASKET SET

1973-1975, 1.9L with twelve (12) bolt head gasket.

## 6188 HEAD GASKET SET

1976-1991, 2.0L with twelve (12) bolt head gasket.

## 6004 HEAD GASKET SET

1968-1972, 1.9L with 10 bolt head gasket.

## 6005 HEAD GASKET SET

1973-1975, 1.9L with twelve (12) bolt head gasket.

## 6068 HEAD GASKET

1976-1989, 2.0L. Twelve (12) bolt.

## 6065 HEAD GASKET

1968-1972, 1.9L. Ten (10) bolt.

## 6066 HEAD GASKET

1973-1975, 1.9L for twelve (12) bolt head.

## 6070 BOTTOM END GASKET SET

Includes oil pan gaskets, timing cover gaskets, front and rear main seals, fuel pump gaskets and spacer, water pump gasket, oil pick-up gasket, distributor gasket & oil pump gskt

## 6006 INTAKE/EXHAUST GASKET

Intake/exhaust to cylinder head, 1.9L.(Also fits 1.5L & 2.0L)

## 6007 EXHAUST TO INTAKE GASKET

Between the intake and exhaust manifolds (hot spot gasket), 1.9L.

## 6008 VALVE COVER GASKET

Valve cover to the cylinder head. Specify year if other than GT 1900 with aluminum valve cover.

## 6009 OIL PAN GASKET

Oil pan to block. 1.5L-2.4L.

## 6010 WATER PUMP GASKET

Water pump to timing cover.

## 6011 OIL PUMP GASKET

Oil pump cover to timing cover.

## 6012 TIMING COVER GASKETS

Timing cover to block.

## 6075 DISTRIBUTOR GASKET

Between timing cover and distributor.

## 6013 THERMOSTAT GASKET

Fits around thermostat.

## 6014 THERMOSTAT HOUSING GASKET

Thermostat housing to cylinder head.

## 6015 CAM COVER GASKET

Cam cover to head. Front or rear.

## 6016 HEAD SIDE PLATE GASKET

Side plate to head.

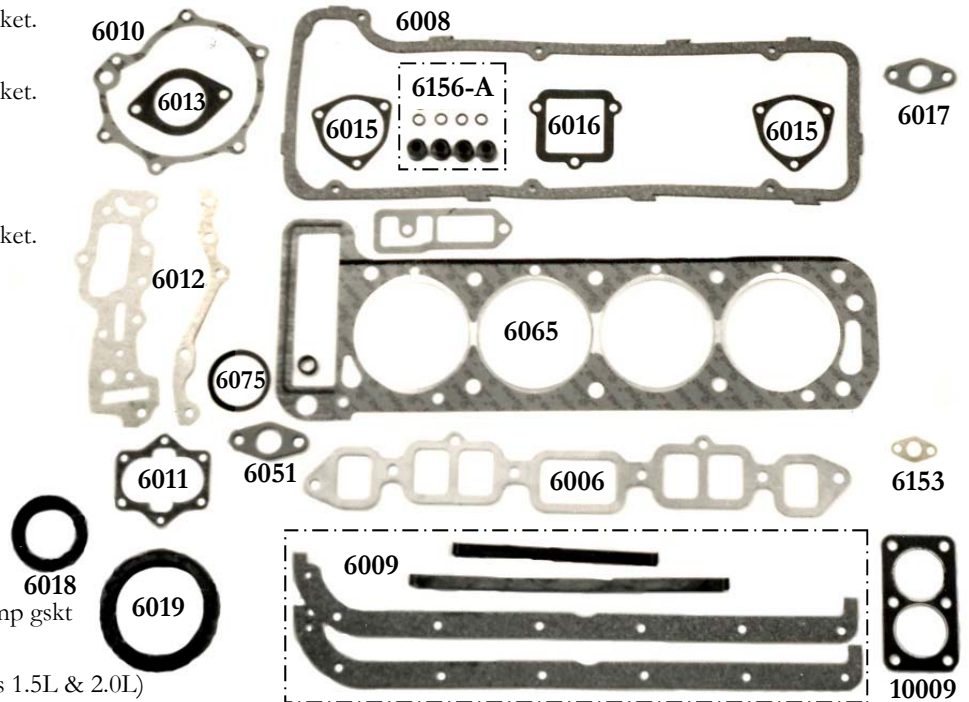
## 6017 FUEL PUMP GASKET

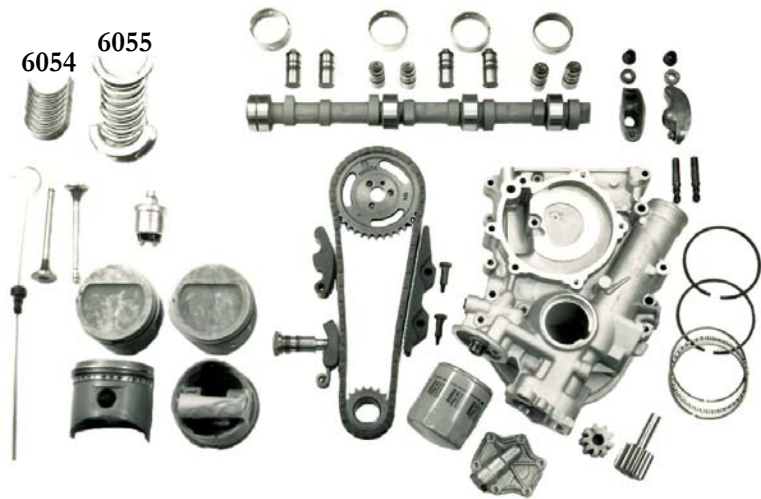
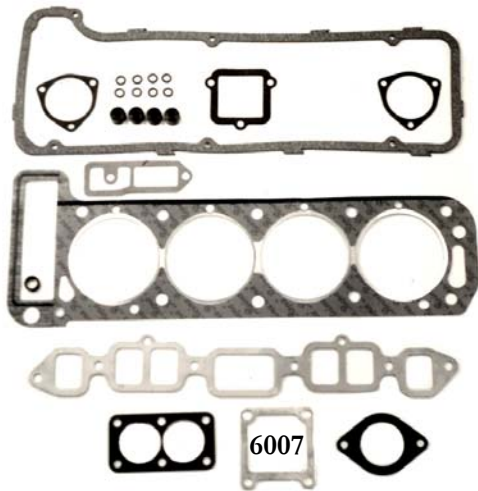
Fuel pump to timing cover. Two (2) required.

## 6153 GASKET: Oil pick up tube gasket.

## 6156-A VALVE SEALS:

Intake & Exhaust valve seals for 1971-75 1.9L.





**6051 FUEL PUMP SPACER**

Spacer for between fuel pump and timing cover.

**6018 FRONT SEAL**

Timing cover to pulley.

**6019 REAR MAIN SEAL**

**6020 O-RING SEAL**

Timing cover to head, rubber.

**6023 TIMING CHAIN 1.9L-2.4L.**

**6024 TENSIONER KIT**

Includes right and left timing chain guides, tensioner guide rail, and special hardware, 1.9L-2.4L.

**6105 TIMING CHAIN GEAR SET**

One (1) upper and one (1) lower timing chain gear. Fits All CIH Opel engines 1.5L, 1.9L, 2.0L, 2.2L & 2.4L CIH.

**6026 CAM BUTTON 73-75**

For heads with extra two Allen bolts in front. 1.9L-2.4L.

**6027 SOLID LIFTER**

New. Must be replaced when installing new solid grind camshaft. Eight (8) required. Same as 6121.

**6028 HYDRAULIC LIFTER**

New. Must be replaced when installing new hydraulic grind camshaft. Eight (8) required.

**6029 ROCKER NUT**

New original. Eight (8) required.

**6030 ROCKER ARM**

New original. Eight (8) required.

**6031 ROCKER STUD**

New original. Eight (8) required.

**6073 ROCKER ARM BEARING 1.9L-2.4L**

**6032 SPECIAL BOLTS FOR LONG TIMING CHAIN RAIL**

2 req. (already included in 6118 and 6024).

**6034 CUP**

Oil pressure by-pass in oil filter area of timing cover.

**6035 FIREWALL MATERIAL**

Replace your old, torn or missing firewall mat. Made of a modern material that replaces old messy fiberglass style.

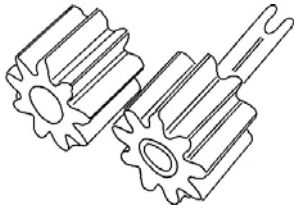
**6036 HOOD PROD HOLDER**

Holds hood prod when hood is closed. Polyurethane replacement part.

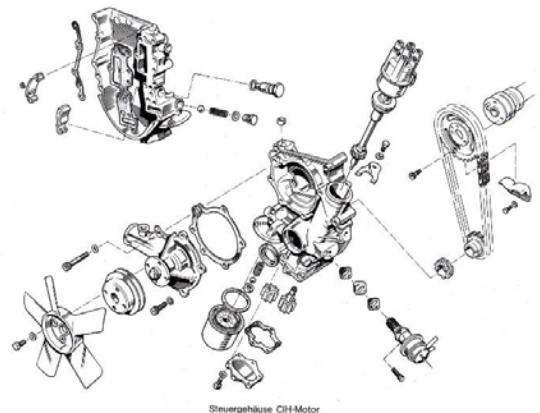
**6037 UNDER-HOOD RUBBER (4-piece set)**

Limits airflow over radiator to help cooling, and helps keep engine fumes from entering car interior through the air vents.

**6021 OIL PUMP COVER WITH GASKET**  
 This often cures low oil pressure problems without having to replace costly gears.  
 1.9L-2.4L.



**6022 OIL PUMP KIT**  
 Includes oil pump gears with pump cover and gasket



# ENGINE

## 6038 HOOD RUBBER BUMPERS

Protects car body from hood when it is closed. 4 required.

## 6039 OIL FILTER

High Quality filter.

## 6040 SPARK PLUGS

4 required.

## 6041 DISTRIBUTOR CAP AND ROTOR

Specify year of application.

## 6078 DISTRIBUTOR CAP, COLORED

Transparent cover. Specify color: red, yellow, blue. Fits 1970-75.

## 6042 CONTACT POINTS

Located within distributor.

## 6043 CONDENSOR

Specify round or square distributor entry hole.

## 6079A OIL PRESSURE SENDER

Oil pressure sender. Has both gauge and warning light function. Fits all GT & Opels with Rallye pac gauges. Without rubber boot. Aftermarket Unit

## 6047 LOWER ALTERNATOR BUSHING

Two (2) required.

## 6048 BOLT

Bolts intake/exhaust manifold to cylinder head. Six (6) required.

## 6049 UPPER ALTERNATOR BUSHINGS

Between bracket and timing cover. Set of two (2).

## 6045F CAMSHAFT BEARINGS

Set of 4, fits 1971-1975 Cylinder Head design. (Some earlier models can be modified to fit, if required).

## 6052 1.9L PISTONS, 93mm

1.9L 9.0 : 1 Compression Pistons, with rings and pin. Available sizes: Standard, 0.020" (.50mm), 0.030" (.75mm) & 0.040 (1.0mm).

## 6053 1.9L PISTON RINGS, 93mm

1.9L Piston Rings, set of four (4). Available sizes: Standard, 0.020" (.50mm), 0.030" (.75mm) & 0.040 (1.0mm).

## 6132 2.0L PISTONS, 95mm

2.0L 9.4:1 Compression Pistons, with rings and pins. Size: Standard. Build your 1.9L into a 2.0L using these pistons. Giving you 9.4:1 compression with a standard 1.9L cylinder head.

## 6140 2.0L PISTON RINGS, 95mm

2.0L, size STD. Set of four (4).

## 6054 ROD BEARINGS

Rod Bearing set for 1.5L, 1.9L, 2.0L, & 2.2L. Available sizes: Standard, 0.010" (.25mm), 0.020" (.50mm) & 0.030" (.75mm).

## 6055 MAIN BEARINGS

Main Bearing set for 1.5L, 1.9L, 2.0L, 2.2L & 2.4L. Available sizes: Standard, 0.010" (.25mm), 0.020" (.50mm), 0.030" (.75mm) & 0.040" (1.0mm).

## 6057 CAMSHAFT

Stock grind, 4 bearing. 1971-1974, hydraulic grind. 1.9L.

## 6058 CAMSHAFT

HP "Torquer" .407" lift, 256 duration. Specify solid or hydraulic grind. 1.9L-2.4L. Good for street application.

## 6059 CAMSHAFT

HP "Combination" .430" lift, 268 duration, solid or hydraulic grind. 1.9L-2.4L. Good for street and autocross applications.

## 6060 & 6061 RACING CAMSHAFTS (Not for Street)

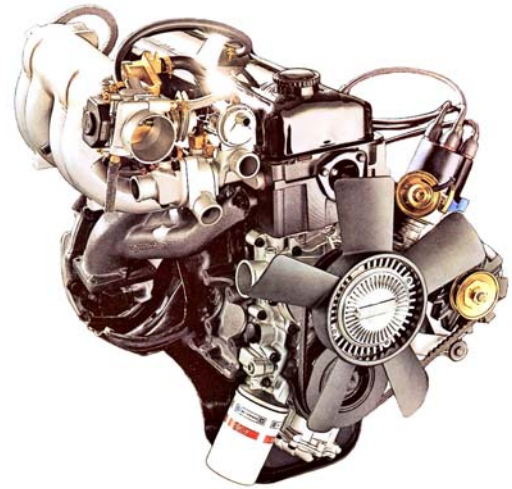
6060 is a HP "Max Comp" .430" lift, 284 duration. Solid grind only. 1.9L-2.4L. Good for autocross & racing applications, Not street!  
6061 is a HP "Ultra Super Comp" .480" lift, 300 duration. Solid grind only. 1.9L-2.4L. racing cam. Not for street!



6038



6042



**6062 VALVE, INTAKE**

Stock 39mm.

**6063 VALVE, EXHAUST**

Stock 33 mm.

**6064 VALVE KEEPERS**

Set of eight (8).

**6067 BOLT, CONNECTING ROD**

1.9L.

**6069 BOLT, FLYWHEEL TO CRANK**

1.9L-2.2L. Attaching bolts. Six (6) required.

**6071 IGNITION WIRE SET**

Pre-cut spark plug and coil wires. 1.9L-2.4L

**6074 DIP STICK**

New. Late 1971-1975 with steel oil pan only. 205mm. 1.9L-2.4L.

**6074A DIP STICK**

New. Early 1968-197a with aluminum oil pan only. 295mm. 1.9L-2.4L.

**6188 2.0L HEAD GASKET SET**

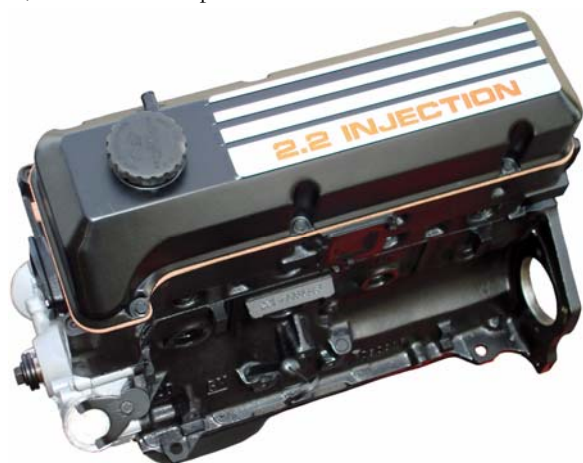
All gaskets and seals required to rebuild a 2.0 head, w/head gasket.

**6192 1900 ENGINE**

Custom Built to suit your needs. Contact us for details.

**6200 2000 ENGINE**

Used low mileage European engine. Long block. Direct bolt-up replacement for the Opel 1900 engine. More torque and horsepower. Stock with factory big valve head. Includes oil pan and timing cover. 95mm bore, 70mm stroke. Special Order item.



'Used' 2.2L CIH Opel Engine. Factory stroked 2.0L. Increased torque and horsepower over the 2.0L.



'Used' 2.4L CIH Opel Engine

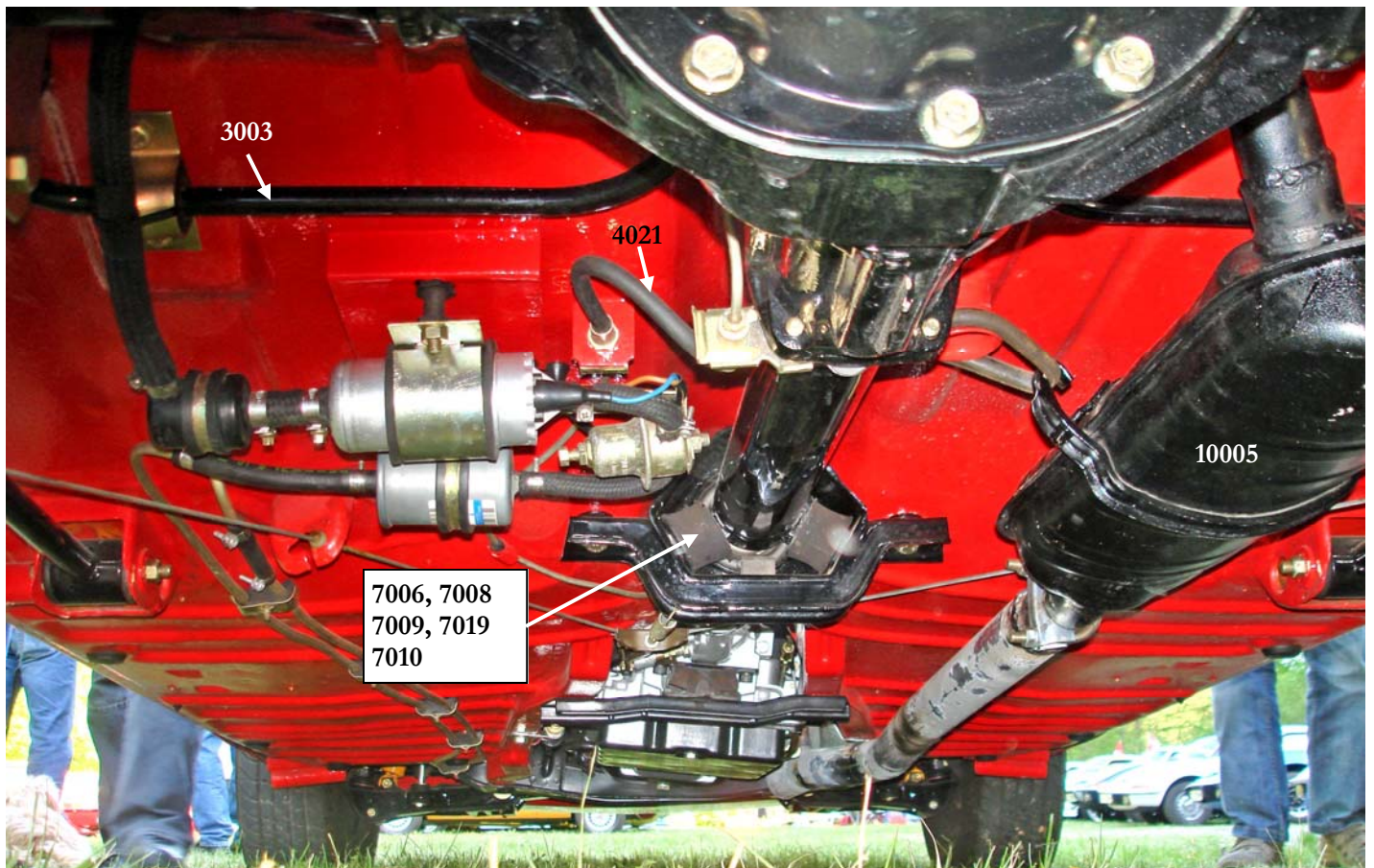
**6220 2200 ENGINE**

Used 2.2L CIH Opel engine. Factory stroked 2.0L. Increased torque and horsepower over the 2.0L. Some adaptations required for installation.

**6240 2400 ENGINE**

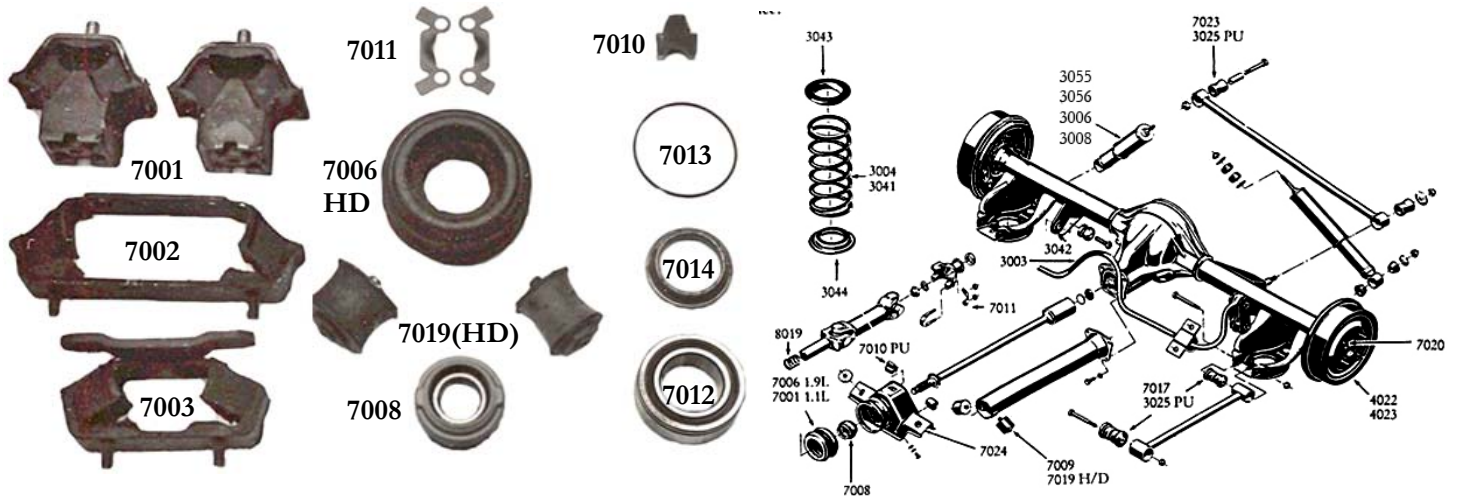
Used 2.4L CIH Opel engine. This is a very special Opel performance engine. The block is cast with 2.4 marks on left front side and uses Opels most wanted forged steel crankshaft, steel heavy duty rods and forged pistons. Increased torque and horsepower over the 2.2L. Some adaptations required for installation.

# Opel Mounts, Under Body & Rear Axle





# Opel Mounts, Under Body & Rear Axle



## 7001 MOTOR MOUNT 1.5L-2.4L

For GT & Kadett with engines: 1.5L, 1.9L, 2.0L, 2.2L or 2.4L.  
Fits: Right or left.

## 7002 4 SPEED MOUNT 1.9L

For GT with 4 speed manual transmission.

## 7003 GT AUTOMATIC TRANSMISSION MOUNT 1.9L

Minor modification required to install (swap over top bracket from your old automatic mount).

## 7006HD CENTER SUPPORT DAMPING RING

1.9L Torque tube donut, heavy duty. Cushions rear drive shaft in the center support assembly. Recommended for 2.2L-2.4L.

## 7008 CENTER SUPPORT BEARING

Bearing inside the 1.9L torque tube donut in the center support assembly. Comes with special installation instructions.

## 7011 SUPPORT BUSHING, HEAVY DUTY

New. Installs same as 7009, but is heavy duty. Two (2) required. Recommended for stock & performance 1.9Ls & 2.0L/2.2L/2.4L.

## 7010 UPPER STOP, HEAVY DUTY

Fits above the torque tube in the center support assembly. Polyurethane replacement.

## 7011 U-JOINT LOCK PLATE

Two (2) required.

## 7012 REAR AXLE WHEEL BEARING

For 1971-1975 cars.

## 7013 SEAL

For rear axle wheel bearing on 1971-1975 cars.

## 7014 RETAINER

For rear axle wheel bearing on 1971-1975 cars.

## 7015 SEAL

For rear axle wheel bearing on 1968-1971 cars.

## 7016 GASKET

Rear axle pan.

## 7018 PINION SEAL

Located between torque tube and rear differential.

## 7020 STUD

Front or rear wheel lug.

## 7021 PINION BEARING SET

For 1.9L.

## 7022 CARRIER BEARING SET

For 1.9L.

## 7025 GASKET

Rear axle to packing plate on 1971-1975 cars. Paper.

## 7026 GASKET

Rear axle to backing plate. Paper. 1968-1971, 1.9L.

## 3025 SPORT REAR SUSPENSION BUSHING KIT

Polyurethane. Includes: Two (2) piece front trailing arm bushings  
Two (2) piece rear trailing arm bushings.  
Two (2) panhard rod bushings.  
Four (4) trailing arm bushing sleeves (cad. plated).  
Four (4) cad. plated trailing arm bolts. Four ny-lock nuts.  
Major improvement over original rubber rear suspension bushings.  
Easy installation. No special tools required.  
Finish off your suspension with these high-quality performance suspension parts. Noticeable handling improvement.  
Fits GT, Kadett, Manta and 1900.

## 3043 UPPER SPRING HAT, POLYURETHANE

For use with Lenk sport springs (3004)  
or original rear coil springs. Specify year.

## 3044 LOWER SPRING SEAT, POLYURETHANE

Between rear coil spring and axle spring cup.



More Rear Axle Bearing & Gasket information on next page

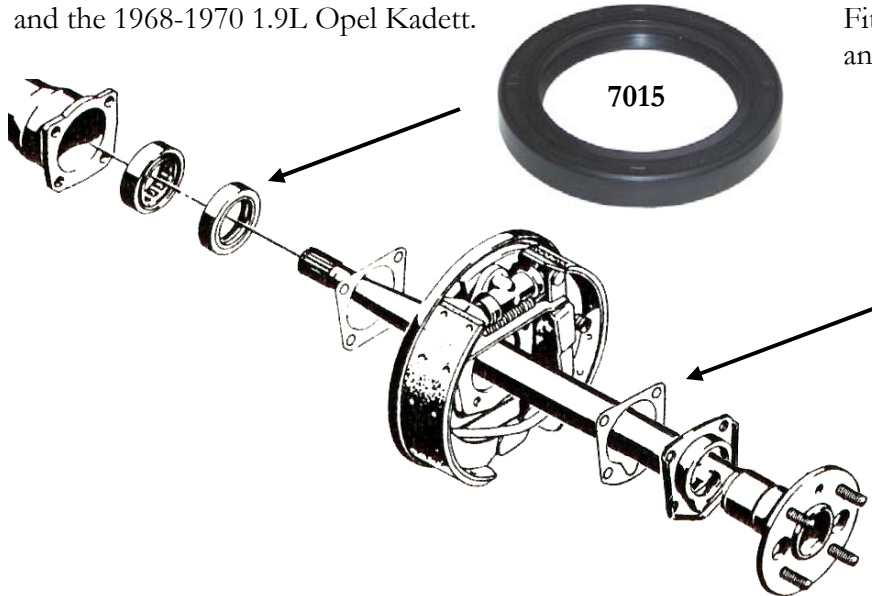
# 1968 - 70 REAR AXLE GASKETS & SEALS

## Gasket, Backing Plate to Retainer Plate 1968-70

Part # 7026

This gasket is located between the out steel retainer plate and the backing plate.

Fits the 1968-1970 1.9L Opel GT and the 1968-1970 1.9L Opel Kadett.

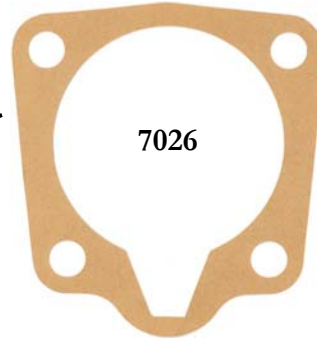


## Axle Seal, 1968-70

Part # 7015

This seal is extremely important in maintaining proper axle fluid levels. Early leak detection may save replacement of the axle bearings.

Fits the 1968-1970 1.9L Opel GT and the 1968-1970 1.9L Opel Kadett.



### Tech Tip:

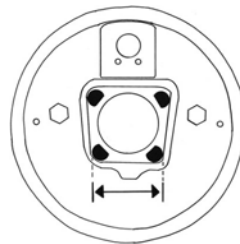
A leaking axle seal can contaminate the brake linings causing unreliable brake operation. Oil contamination often necessitates early replacement of the brake shoes.

### 1.9L Axle Type Identification:

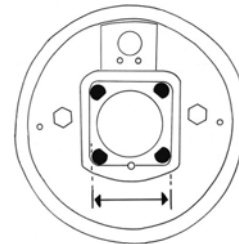
The axle type is easily identified by removing a rear drum and measuring the bolt spacing of the backing plate mounting bolts.

**1968-70 Axles** with the "C" clip measure 85 mm at the top bolts and 75 mm at the bottom bolts.

**1971-75 Axles** with the press on bearings measure 85 mm at the top bolts and 85 mm at the bottom bolts.



1968-1970  
'C' Clip Type



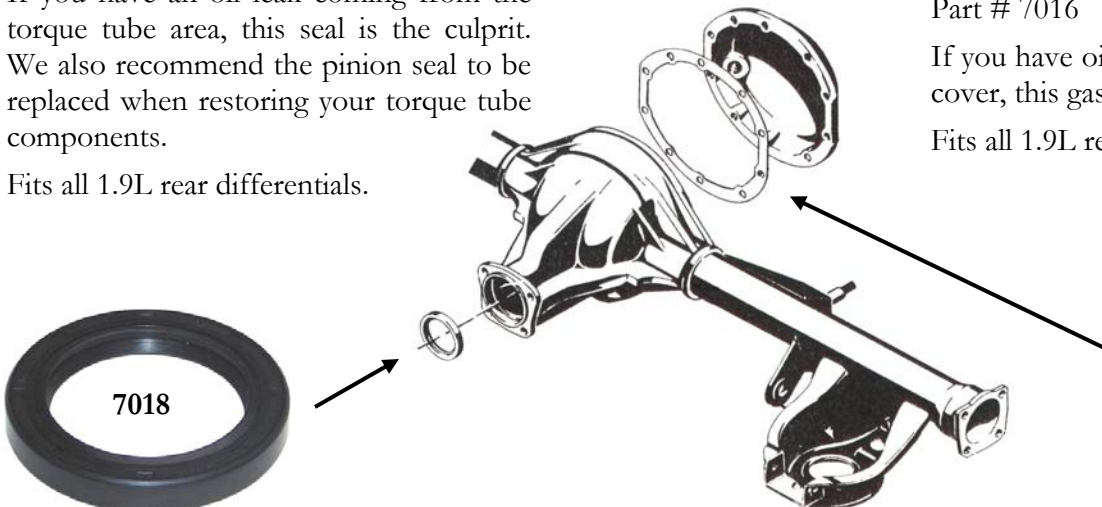
1971-1975  
Retainer Type

## Pinion Seal 1.9L

Part # 7018

If you have an oil leak coming from the torque tube area, this seal is the culprit. We also recommend the pinion seal to be replaced when restoring your torque tube components.

Fits all 1.9L rear differentials.



## Gasket, Rear Axle Pan 1.9L

Part # 7016

If you have oil seepage from the differential cover, this gasket will need replacement.

Fits all 1.9L rear differentials.



# 1971 - 75 REAR AXLE GASKETS, SEALS & BEARINGS

## Axle Bearing, 1971-75

Part # 7012

Sealed axle bearing. Also requires the replacement of the 7013 seal and the 7014 bearing retainer.

Fits: 1971-1973 Opel GT  
1971-72 1.9L Opel Kadett  
1971-75 Manta & 1900



## "O" Ring Seal, 1971-75

Part # 7013

Axle seal. If you have a leak at your rear axle, this small 'O' ring seal may be the cause.

Fits: 1971-1973 Opel GT  
1971-72 1.9L Opel Kadett  
1971-75 Manta & 1900

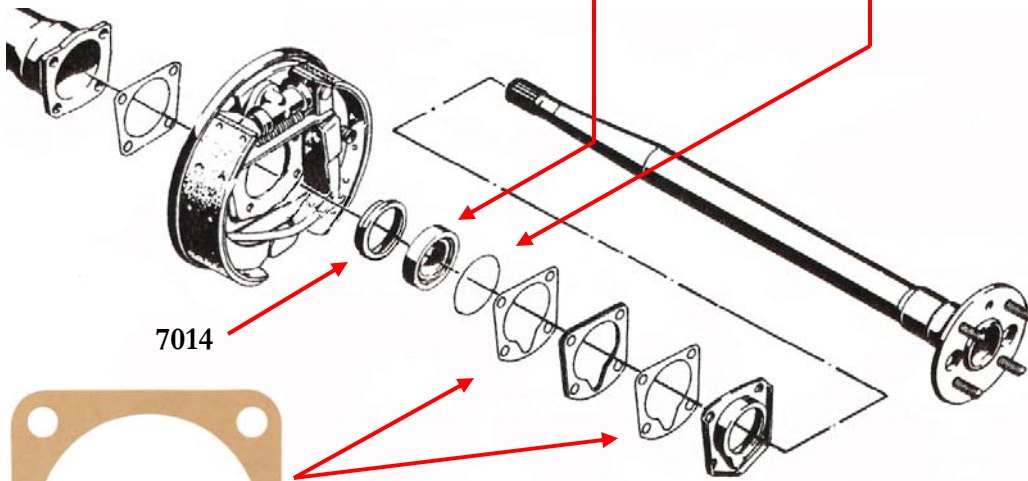


## Retainer, 1971-75 Axle Bearing

Part # 7014

Required when replacing the 7012 axle bearing on your late model axle.

Fits: 1971-1973 Opel GT  
1971-72 1.9L Opel Kadett  
1971-75 Manta & 1900

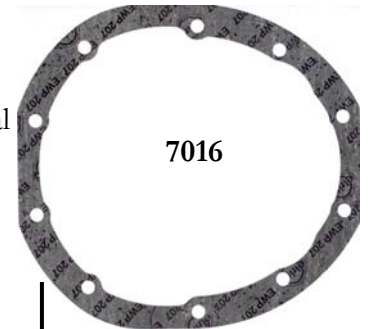


## Gasket, Rear Axle Pan 1.9L

Part # 7016

If you have oil seepage from the differential cover, this gasket will need replacement.

Fits all 1.9L rear differentials.



## Gasket, Backing Plate to Retainer Plate 1971-75

Part # 7025

This gasket is located between the backing plate and the mid plate, and from the mid plate to the retainer plate.

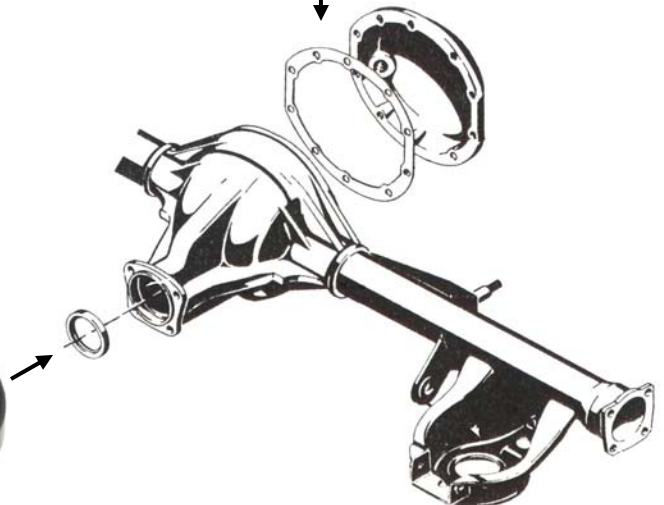
Fits: 1971-1973 Opel GT  
1971-72 1.9L Opel Kadett  
1971-75 Manta & 1900

## Pinion Seal 1.9L

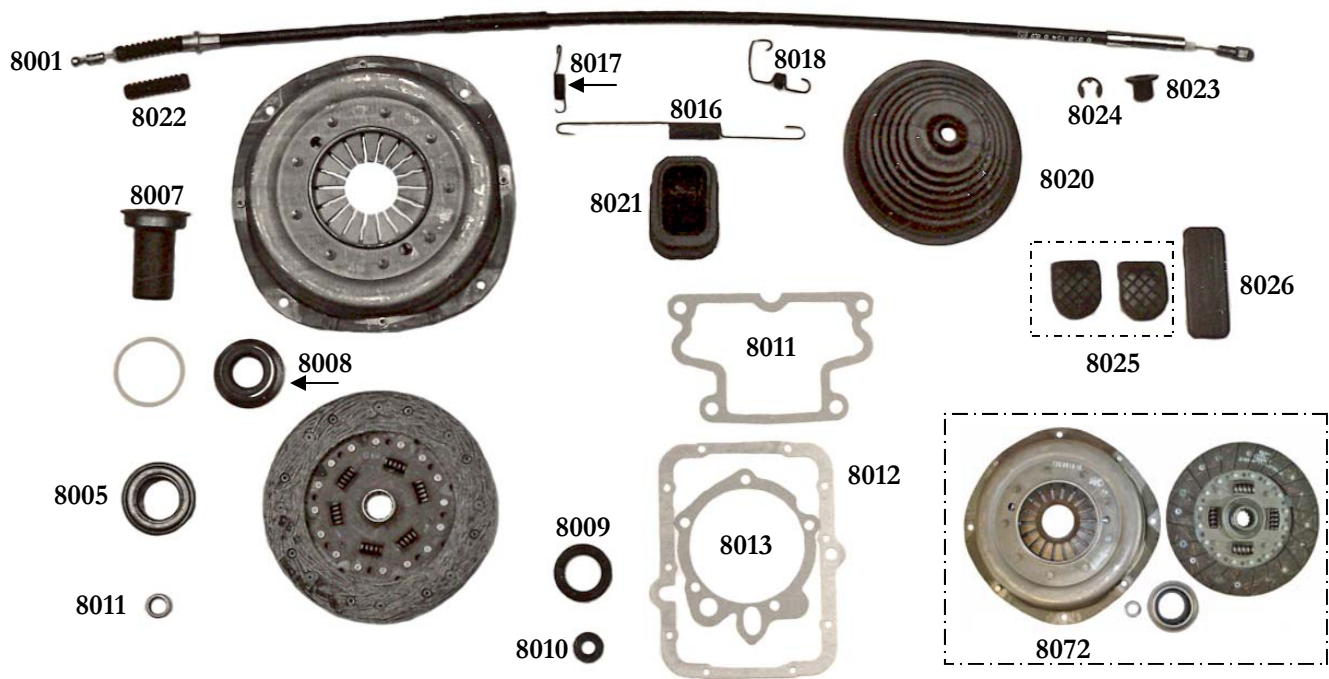
Part # 7018

If you have an oil leak coming from the torque tube area, this seal is the culprit. We also recommend the pinion seal to be replaced when restoring your torque tube components.

Fits all 1.9L rear differentials.



# CLUTCH and TRANSMISSION



## 8072 8.0 INCH CLUTCH KIT

New 8.0 inch clutch kit included pressure plate, clutch disc, release bearing and pilot bearing.

## 8001 CLUTCH CABLE

GT 1.9L-2.4L, 4 or 5 speed.

## 8004 CLUTCH DISK

Higher Quality Friction Material for Durability

## 8005 CLUTCH RELEASE BEARING

Less expensive version, 1.9L, 2.0L, 2.2L & 2.4L

## 8006 PILOT BEARING

1.9L-2.4L, 4 and 5 speed.

## 8007 SLEEVE

Sleeve for the clutch release bearing, 4 speed.

## 8008 FRONT SEAL

Front cup, 4 speed.

## 8009 REAR SEAL

4 speed rear to drive shaft.

## 8010 SHIFTER SEAL

4 speed shifter shaft. Right or left. Two (2) required.

## 8011 GASKET

4 speed front.

## 8012 GASKET

4 speed pan.

## 8013 GASKET

4 speed rear.

## 8014 SPEEDO CABLE

4 speed or 5 speed Trans on Opel GT. Reproduction.

## 8015 SPEEDO CABLE

Automatic Trans on Opel GT. Reproduction.

## 8016 CLUTCH RETURN SPRING

Measure yours to match, Clutch Fork return spring on GT.

## 8017 SPRING

Shifter return. 4 speed.

## 8018 SPRING

Shifter shaft, lower. 4 speed.

## 8020 GT SHIFTER BOOT

Reproduction. Keeps heat and noise out of interior of car. It will stretch over original 4 speed or 5 speed knob during installation. Made from high quality military specification neoprene for long life and durability.

## 8021 BOOT

Fits around the clutch arm in the bell housing. All 1.9L-2.4L, 4 and 5 speed.

## 8022 BOOT

Clutch cable.

## 8023 BUSHING

Clutch cable to body at firewall entry.

## 8024 E-CLIP

Clutch adjustment.

## 8025 BRAKE/CLUTCH PEDAL RUBBER

Rubber pad that fit over your brake or clutch pedal. Opel GT Manual transmission only.

## 8026 ACCELERATOR PEDAL RUBBER

Rubber pad that fits over your accelerator pedal.

## 8028 90-DEGREE ANGLE DRIVE

1968-1970, 4 speed speedometer cable to transmission.

## 8047 SHIFTER KNOB

Black plastic, 4 speed. Replacement original GM/Opel part.

## 8049 BOLT WITH LOCK WASHER

Pressure plate to flywheel. Allen head cap screw.

## 8057 CLUTCH ALIGNMENT TOOL

Geared plastic.

*All parts listed for  
Opel GT with 1.9L engine*

# CLUTCH and TRANSMISSION

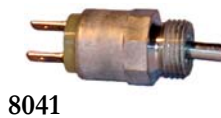


**8036 1.9L SPEEDO DRIVE O-RING OUTER SEAL**

**8037 1.9L SPEEDO DRIVE INNER CUP SEAL**  
For speedometer drive gear.

**8041 REVERSE LIGHT SWITCH**  
Switch that turns on reverse light when car is put into reverse. 1971-1975.

**8042 SPEEDO DRIVE GEAR, BLUE**  
1971-1975 4 speed. For use with 3.44:1 rear axle. Located in extension housing speedo drive. Also for 5 speed and automatic.



**8038 shown with GT Conversion shifter**



**8038 GETRAG 5 SPEED (type 240)**

With .804:1 fifth gear. The Opel Getrag 240 is one of the finest quality built transmissions in the world! Modification of the shifter linkage and custom drive shaft are required for direct bolt up into a GT. We offer this transmission un-modified as well as a complete ready to bolt in kit that can be installed in just a few hours. Works with your original clutch system. Available MODIFIED, UN-MODIFIED, REBUILT or USED  
NOTE 1: Additional parts and modifications to bolt on parts are required in order to install this 5 speed into a GT, Kadett, Manta or 1900. We can provide you with information required to make your own modifications upon request with purchase of a 5 speed from us. We can also provide you the transmission complete and ready to install into any 4 speed equipped.  
NOTE 2: Additional parts are required when converting from an automatic to a 5 speed.  
NOTE 3: When converting a 4 speed to 5 speed inspect your clutch for wear & order everything you require to save you time.  
NOTE 4: See 'ya in the FAST LANE!.

**8043 2.2L-2.4L CLUTCH, PRESSURE PLATE AND RELEASE BEARING KIT**  
35% more surface area. Must be used with flywheel 8044.

**8044 2.2L-2.4L FLYWHEEL**  
35% more surface area. Also fits 1.9L and 2.0L Great for high-performance applications.

**8031 AUTOMATIC FLYWHEEL**  
Flex Plate with Ring Gear for 1.9L Opels, including GT.

**8045 AUTOMATIC FILTER KIT**



**GT Automatic Transmission Kick Down Cable**  
Part # 8071

Is your automatic transmissions kick down cable frayed, cracked, broken or continually leaking transmission fluid? Restore its proper operation and stop the leaks with this brand new reproduction cable.

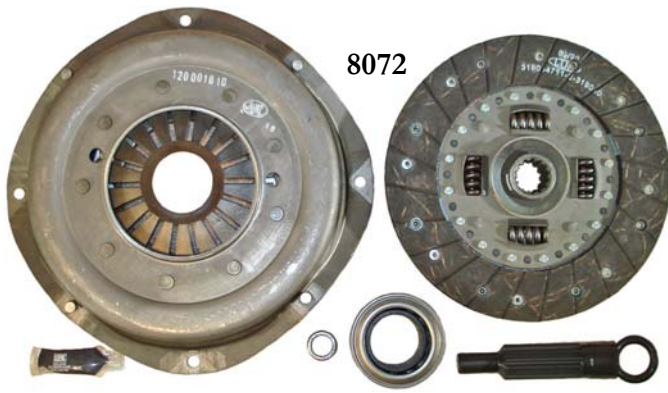
# 1.9L GT, KADETT, MANTA & 1900 CLUTCH KIT

## 1.9L Clutch Kit

### New 8 inch Clutch Kit, 1.9L

Part # 8072

Brand new high quality German-made 8-inch clutch kit for your Opel. Includes a new pressure plate, clutch disk, release bearing, pilot bearing, spline lube and a clutch alignment tool.



### Need More Items?

You may need a front gasket, front seal, clutch fork boot or return spring to complete your clutch job. We have you covered at Opel GT Source.



## 1.9L Clutch Parts, Individual

### New 8 inch Clutch Disk, 1.9L

Part # 8056

Brand new high quality 8 inch clutch disk.



8056

### Opel Release Bearing, Factory NOS

Part # 8005



8005

### Pilot Bearing

Part # 8006



8006

### Clutch Release Bearing

Part # 8035

Brand new high quality release bearing, at a lower cost.



8035



8057

### Clutch Alignment Tool

Part # 8057

This tool is needed to properly and quickly align your clutch disk for easier transmission reinstallation.

## 1.1L Clutch Parts

### 1.1L Pressure Plate, Rebuilt

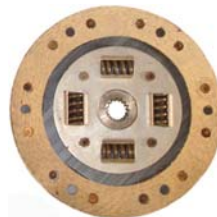
Part # 8033



8033

### 1.1L Clutch Disk, Rebuilt

Part # 8032



8032

### 1.1L Clutch Release Bearing

Part # 8034



8034

### 1.1L Pilot Bearing

Part # 8030



8030

### 1.1L Clutch Alignment Tool

Part # 8077

8077



# Original Opel GT & the Aero GT



**Above:** The orange Aero GT.

**Left:**

The orange Aero GT.

The red 1968 GT from Opel's Museum.

The 1965 prototype GT from the 1965 Frankfurt International Auto Show.

**Below:**

The Aero GT, 40 years later, at the 40th. Anniversary History Tour, Germany 2008.



# FUEL SYSTEM

## 9003 WEBER AIR FILTER

For Weber DGV, or Weber 38. Comes complete with gasket, hardware and an elbow to attach your crankcase ventilation. Rectangular chrome top and bottom with 2-1/2" washable filter element.

## 9004 GASKET, 32/36 WEBER CARBURETOR to INTAKE MANIFOLD

Weber DGV carburetor to intake manifold, thick gasket with plastic eyes to prevent carburetor base plate warping. Installation instructions included.

NOTE: You will also need 9018 if your engine is equipped with a heat shield under the carburetor.

## 9005 THROTTLE GROMMET, GT

Accelerator linkage to firewall, passenger side.

Improves linkage throttle response. Polyurethane.

## 9006 THROTTLE GROMMET, GT

Accelerator linkage to firewall, driver side.

Improves linkage throttle response.

## 9007 BOOT

GT fuel line to body at gas tank rear. Reproduction.

## 9008 FUEL FILTER, 1968-1972

Fuel filter, fits 1968-1972 Opels.

## 9009 FUEL FILTER, 1973-74

Special fuel filter for 1973 GT & the 1973-74 Manta/1900.

## 9011 LOCK SPRING

Accelerator linkage to carburetor also for drivers side throttle linkage to body pivot.

## 9013 GT GAS CAP WITH KEYS

European reproduction of the Original GT gas cap. Comes with two (2) keys.

## 9014 FILLER NECK GASKET, GT

Reproduction rubber gasket that seals filler neck to rear body panel. Made of durable neoprene.

## 9016 CARBURETOR, WEBER DGV-Series

Trademarked European-made Weber Water Choke carburetor. Direct bolt-on replacement of original Solex. Additional parts (such as #9031) required for correct installation. Install instructions included on request with carb. For 1.5L, 1.9L & 2.0L CIH engines.

## 9017 CARBURETOR, WEBER DGV-Series

Trademarked European-made Weber Electric Choke carburetor. Direct bolt-on replacement of original Solex. Additional parts required for correct installation. Installation instructions included on request with carb. Works on 1.5L, 1.9L & 2.0L CIH engines. We provide models without the trouble-prone Anti-Diesel solenoid. (Manual Choke version available as Special Order item #9067)

## 9018 GASKET, HEAT SHIELD TO INTAKE MANIFOLD

Carburetor heat shield to intake manifold, thin.

NOTE: You may also need 9004.

## 9019 ADAPTOR

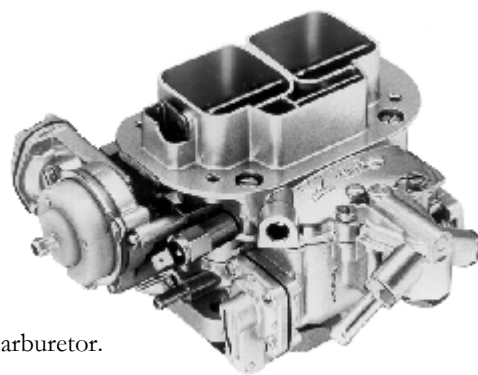
Weber DGV to original air cleaner assembly. Fits Manta, 1900 & Kadett, and may require some cutting to fit the GT. Other alternatives include the 9003 Weber air filter or the 9063 Weber Snorkel Kit.

## 9063 SNORKEL KIT:

This kit will allow you to preserve your original GT Solex fender mounted air cleaner and rubber connector boot.

Gets cold air to the carburetor and clears the hood.

(Picture to the right shows the 9063 installed onto a GT.)



European-Made and "Trademarked"  
Weber Electric Choke Carburetor

Maximize your GT driving experience  
with a brand new Weber carburetor.

Many of the original Solex carburetors (after 40+ years of service) as well as some older Webers installed decades ago may no longer be able to deliver reliable daily service. If your engine has drivability issues, a new Weber may be just what you need.

## FUEL PUMP

### 9010 FUEL PUMP, 1968-1974

Original design fits 1.5L-1.9L

### 6017 GASKET, FUEL PUMP

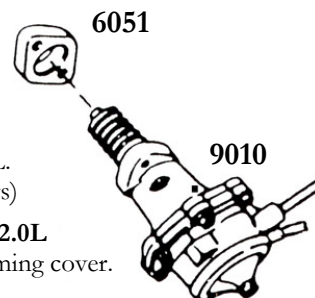
Fuel pump to timing cover. 1.9L-2.4L.

Two (2) required (for old-style spacers)

### 6051 FUEL PUMP SPACER 1.5L-2.0L

Spacer for between fuel pump and timing cover.

New Style: Gaskets already attached.





**9020 WEBER REBUILD KIT**

Weber DGV Series & 38 rebuild kit. Does not include 9025, 9051 or float 9039.

**9020A WEBER REBUILD KIT, w/ POWER PUMP**

Weber DGV Series & 38 rebuild kit with power pump. Does not include 9051 or float 9039.

**9021 1.9L SOLEX REBUILD KIT**

Rebuilt kit contains; Needle & seat, accelerator pump diaphragm, choke diaphragm, and misc. gaskets and seals. When ordering, specify Year & Model (GT, Manta, 1900 or Kadett)



9021

**9024 AIR FILTER**

Stock GT, 1.9L, 1971-1973 type.



9024

**9025 POWER PUMP**

Inside float bowl for Weber DGV series.

NOTE: This part is not included in the rebuild kit 9020.

**9026 WEBER ELECTRIC CHOKE ELEMENT**

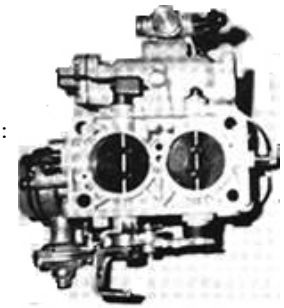
New Weber electric choke element. Can also be used to convert a DGV Water choke Weber to an Electric choke Weber. Note: Will not fit manual choke Webers.

**9027 ANTI-DIESEL SOLENOID**

For smog-legal DGV Series.

**9028 WEBER 38 CARBURETOR**

High performance down draft with two 38mm barrels that work simultaneously using gear linkage. Bolts to original intake manifold and linkage. Adds increased horsepower to a well-built engine with out the expense of going to dual side drafts or fuel injection. Specify water or electric choke. NOTE 1: Porting intake manifold to match carburetor barrel size will enhance performance even more. NOTE 2: Best when installed upon a high-compression or performance-built Opel engine. Slight modifications and additional hardware required for installation.



Two 38 mm barrels

**9029 LINKAGE ADAPTOR BRACKET**

Special throttle linkage bracket that eases installation of your Weber.

Note: Used in conjunction with your Solex ball-nut. If missing, order 9060 a new Solex ball-nut.

**9031 OPEL WATER CHOKE HOUSING ADAPTOR**

Proper water choke fitting for Weber 32/36. Should be purchased when ordering non-smog legal Weber 32/36 DGAV

**9051 WEBER CHOKE CUTOFF DIAPHRAGM**

# HOME IMPROVEMENT SECTION



**With a little work your driveway could look like this!**

# GT EXHAUST

**10004** HEAD PIPE, 1.9L GT:  
Connects exhaust manifold to front muffler.

**10005** FRONT MUFFLER.

**10006** CONNECTOR PIPE:  
Connects front muffler to rear resonator.

**10007** RESONATOR: Twin tip.

**10008** HANGERS, RUBBER:  
Specially designed for rear resonator.  
Provides extra strength and tension  
to steady rear resonator. 2 required.

**10009** GASKET, EXHAUST FLANGE:  
Exhaust manifold to head pipe gasket.

**10010** MUFFLER DONUTS: For front or rear mufflers.

**10011** BOLTS: Head pipe to exhaust manifold. Set of 6.

**10017** Resonator Bump Stop Bushing.

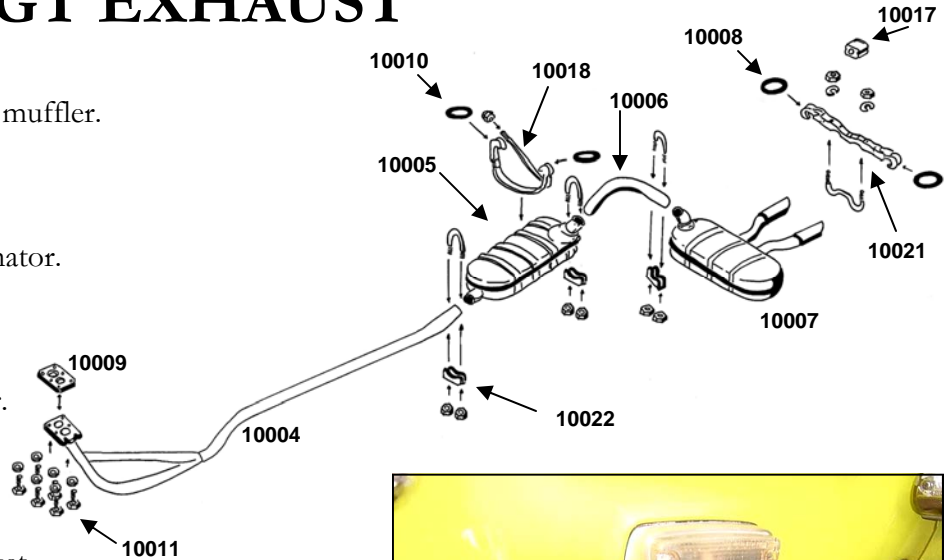
**10018** Front Muffler Hanger Bracket.

**10019** Gasket. 2.0L exhaust flange for English FI exhaust manifold.

**10020** ANSA Oval exhaust tips. 2 inch (2 Required)  
Build your own custom resonator!

**10021** RESONATOR BRACKET: Opel GT rear hanger bracket. German Reproduction.

**10022** CLAMP: Muffler clamp. GT or Kadett.

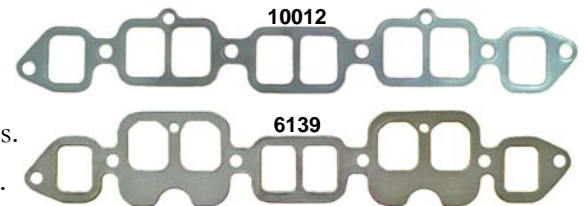


**10007 Rear Resonator**

## Header Gaskets

**10012** HEADER GASKET 1.9L & 2.0L: Fits 1.9L or 2.0L cylinder heads.

**6139** HEADER GASKET 2.2L & 2.4L: Fits 2.2L or 2.4L cylinder heads.



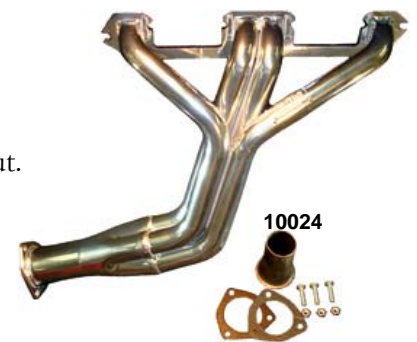
Are you tired of constantly needing to replacing your leaking header gasket? Is your header flange uneven?  
Then our new header gasket, made of modern high tech "Remflex" material, to seal those pesky exhaust leaks.

## Header

**10023** Opel GT Header, Raw Steel: Unpainted raw steel header.

**10024** Opel GT Header, Ceramic Coated: This header is coated both inside and out.

These 4 into 1 Opel GT headers was specifically designed to clear the most commonly installed Opel and aftermarket intake manifolds ranging from the 1.9L to 2.4L CIH Opel engines.



**Will fit:** Stock the 1.9L intake manifold, Irmischer dual side draft manifolds, most other manufacture longer dual side draft manifolds (with some trimming) such as Cannon, Steinmetz single side draft manifold, 1975 fuel injection manifold, 2.0L fuel injection manifold and the 2.2L fuel injection manifold. Will clear the stock 4 speed transmission and the automatic transmission. Will clear the Getrag 5 speed transmission with one small alteration.

# GT COOLING

## 6010 GASKET

Water pump to timing cover.

## 6013 GASKET

Thermostat.

## 6014 GASKET

Thermostat housing to head.

## 11001 UPPER RADIATOR HOSE, GT

1.9L-2.4L Carbureted.

## 11002 LOWER RADIATOR HOSE, GT

1.9L-2.4L Carbureted.

## 11003 HEATER HOSE

90 degree curve, from thermostat housing to heater valve.

## 11005 THERMOSTAT

Specify 160, or 180 degrees.

## 11006 1.9L WATER PUMP

New. Gasket included.

## 11008 LOWER RADIATOR MOUNT

Rubber Bushing that screws into bracket

## 11009 TEMPERATURE SENDER UNIT

Fits original 1970-1973 GT housings

## 11013 FAN BELT, 1.9L

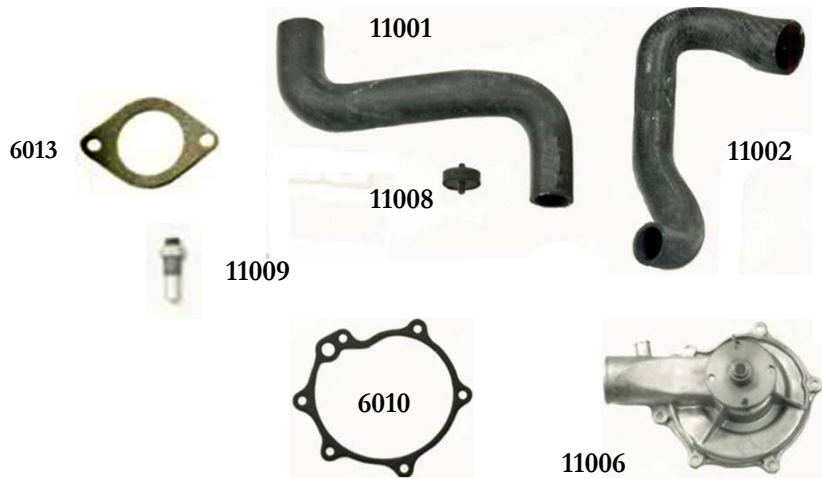
Connects water pump, alternator and front crank pulley. To receive the proper length belt, Specify if you have a cast iron lower alternator mounting bracket, or an aluminum lower alternator mounting bracket.

## 11020 RADIATOR CAP

Aftermarket.

## 11025 FAN, 7-BLADE

Replace your warped, damaged or out of balance 5 or 7 blade engine cooling fan today and enjoy the superior cooling of a new fan. Faithful reproduction of the 7-blade fan Opel designed in 1971 for the hot US climate. Fits 1.9L GT, Manta, 1900 & Kadett.



**Have a 1.1L GT?**

Upper Hose #11011

Water Pump w/Gasket #11014

Lower Hose #11015

Thermostat #11019





## **GT Heating**

### 11030 HEATER CONTROL PLATE

Metal reproduction. Very high quality. A must for any GT.

### 11031 HEATER CONTROL VALVE

Faithful reproduction of the GT heater control valve. Fits 1968-1973 GT. Note: Valve can be modified for use on Kadett, Manta and 1900 models.

### 11032 HEATER CONTROL CABLES

NEW, dual heater control cables for your Opel GT. Replace your sticky/rusted cables with these brand new cables today.



# Opel GT High Efficiency Aluminum Radiators

This custom made, all-aluminum radiator was designed for the Opel GT owner who wants increased performance from their cooling system. We recommend all owners of 2.0L, 2.2L or 2.4L engines or a high output 1.9L (or A/C) install one of these radiators..

This high efficiency radiator is available for both carbureted and fuel injected applications.

The version for fuel injection comes with a pressurized expansion tank with an incorporated radiator cap.

The cap location on the EFI radiator is deleted and is replaced by a tube to connect to the pressurized tank.

Note: Carbureted version shown below.

Note: We recommend the use of a fan shroud., part # 11026



Aluminum radiator: shown without fan and shroud for clarity



Aluminum radiator: shown with fan and shroud installed.



Left:  
High efficiency  
Aluminum Radiator  
for Carbureted Opel  
GT.  
**Part # 11023A**



Fan Shroud

### Tech Tip:

When installing any new radiator, it is best to have your entire cooling system professionally flushed to protect your investment.

We also recommend fresh coolant with any new radiator.

Use a 75% ratio of anti-freeze to Water when using an Alu-Radiator

### Fan Shroud

Part # 11026,

Reproduction fan shroud to replace your missing or damaged original. Made of fiberglass.

Increases the efficiency of your fans ability to pull air through the radiator. A must for a top performing cooling system. Paintable.



### OEM Radiator Cap

Part # 11020A

Restore your Opels original under hood appearance. Made in Germany or UK.

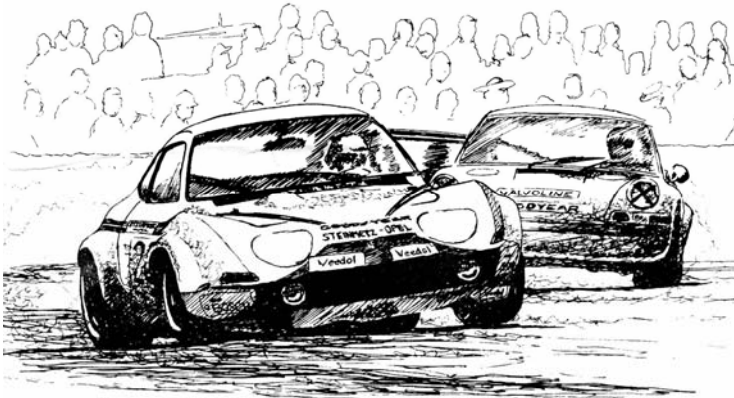
# Opel GT High Efficiency EFI Aluminum Radiators

High Efficiency  
Aluminum Opel GT  
Radiator with pressurized  
bottle for 2.0, 2.2 & 2.4L  
EFI engines.

**Part # 11012A**



Aluminum radiator: shown with pressurized over flow and radiator hoses, however, without fan and shroud for clarity.



## EFI Thermostat

Part # 11022

Correct thermostat for your  
1.9L thru 2.4L EFI  
thermostat housing.

Available in 160, 180 or 195  
deg. temperature ranges.



## Adapter, 1.9L Thermostat for 2.2L-2.4L Head

Part # 11033

For those who wish to run the stock 1.9L thermostat housing on their 2.2L or 2.4L engine, we offer this special adapter to get the job done easily.

Adapter plate comes with bolts & gaskets, allows the end user to bolt their stock 1.9L thermostat housing onto a 2.2L or 2.4L cylinder head.

## Lower Radiator Mount (fits: GT, Manta & Kadett)

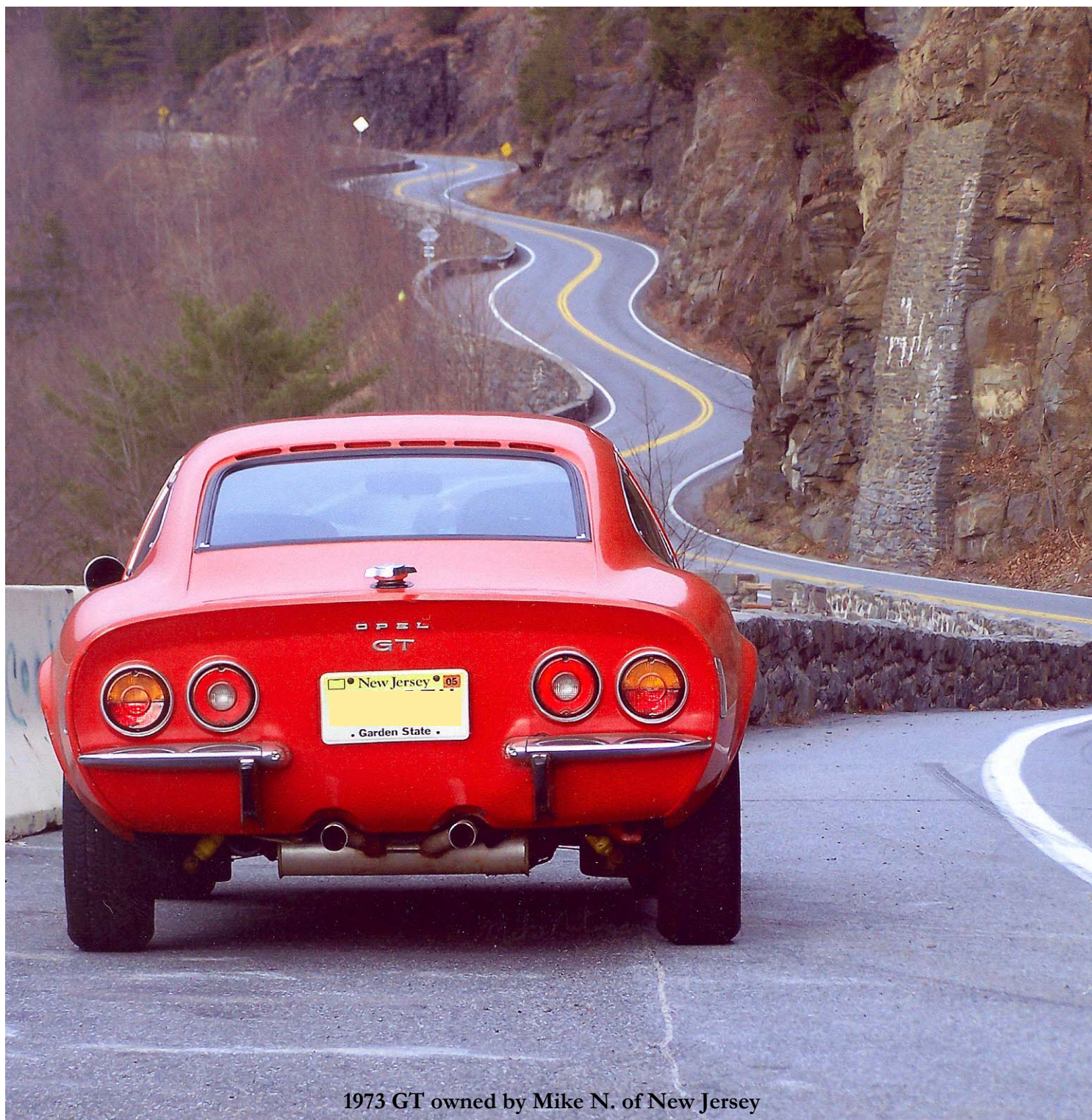
Part # 11008

Is your lower radiator mount torn, missing, rusted in place or you would like a new one to go with your new aluminum radiator?

These mounts are Opel originals and are identical to your originals.



# The Opel was made for the open-road.



1973 GT owned by Mike N. of New Jersey

## Tail Lamp Panel Emblems, Opel GT

12003 EMBLEM SET: "O", "P", "E" & "L" for all 1968-1973 GT.

12004 EMBLEM SET: "G" & "T" for all 1971-1973 GT.

12095 EMBLEM GROMMET SET: for 1971-1973 GT

12006 EMBLEM PLATE: "1900" for 1.9L 1971-1973 GT.

12094 EMBLEM GROMMET SET: for 1968-1970 GT.

## Note:

1968-1970 1.9L Opel GT used the 12003 'O' 'P' 'E' 'L' emblem set and the 12006 "1900" emblem plate.

1968-1970 1.1L Opel GT only used the 12003

1971-1973 Opel GT used the 12003 'O' 'P' 'E' 'L' emblem set and the 12004 "G" & "T" emblem set.

# GT EMBLEMS and ACCESSORIES

## 12001 BLITZ EMBLEM, OPEL GT FRONT

Front Blitz located on GT nose. In chromed plastic.

## 12001B BLITZ EMBLEM, OPEL GT FRONT

Front Blitz located on GT nose. In Black.

## 12002 EMBLEM PLATE "OPEL"

Used on all 1968, 1969 and 1970 GT.

One emblem per front fender required

## 12003 EMBLEM SET OPEL

"O" "P" "E" "L" emblem set.

Used on all year GT on the rear tail panel. Chromed Reproduction.

## 12004 EMBLEM SET GT

"G" "T" emblem set. Chromed Reproduction. (See emblem page)

## 12005 CHROME CORNERS

Chrome Corners for front and rear windshields.

German reproduction in stainless steel.

Fits: 1968-73 Opel GT front & rear.

12010

## 12006 EMBLEM PLATE 1900

"1900" emblem plate.

Used on 1968, 1969 & 1970 GT, to label a GT with its 1.9L engine.

Located on the rear tail lamp panel.

## 12010 DRAIN BOOTS

Rear underbody. Two (2) per GT

## 12025 SPORT MIRRORS, BLACK

Reproduction of the classic 'Sport' mirror used on many Opels. Fits left or right. Buy two (2) for your project.



12025

## 12037 KEY BLANK

Two types in stock. Specify description when ordering: OP11 or OP19 style. Details in "part list" or on website.

## 12094 EMBLEM GROMMET SET, GT 1968-70

Emblem grommet set for the 1968 thru 1970 model Opel GTs.

These grommets press into the body to which the exterior emblems secure. Commonly needed after a paint job or body repair work.

## 12095 EMBLEM GROMMET SET, GT 1971-73

Emblem grommet set for the 1971 thru 1973 model Opel GTs.

These grommets press into the body to which the exterior emblems secure. Commonly needed after a paint job or body repair work.

## 5062 GT/MANTA ANTENNA

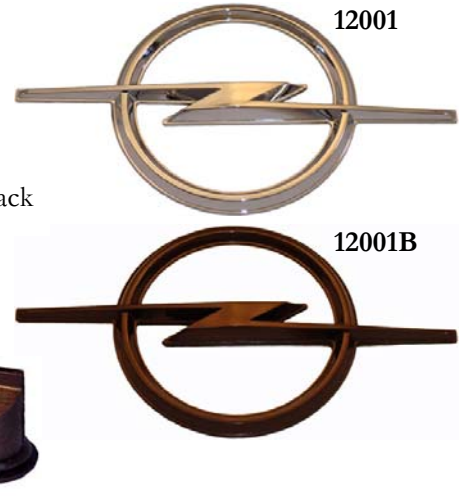
Antenna for your Opel GT or Manta.

OEM German Hirschmann antenna.

## 12035 DZUS FASTENER

Aerodynamic quick disconnect fasteners. Perfect for mounting European racing flares and GT02 front spoiler for racing applications. Recommended for GT02 front spoiler for street application. Comes complete with spring retainer.

Available in  
Chrome & Black



## 2019 TOOL

For inserting chrome in front and rear window channels.

## 12012 6mm SERRATED TOOL

For early model fuel pumps.

## 12013 8mm SERRATED TOOL

For cam bolts and steering coupler.

## 12015 12mm SERRATED TOOL

For head bolts.

## 12016 COMPLETE SET

All four serrated tools.

## 12028 TUBING

For window washer.

## 12029 WASHER NOZZLE

Replacement-type. Looks similar to original.

## 12032 WINDOW WASHER VALVE

One-way valve for window washer fluid. 2 required.

Tools



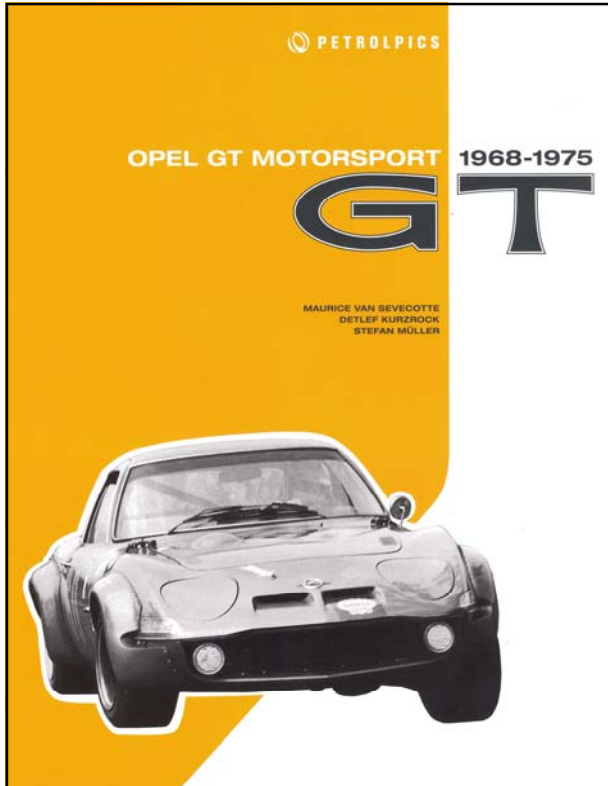
Washer, Valve & Tubing



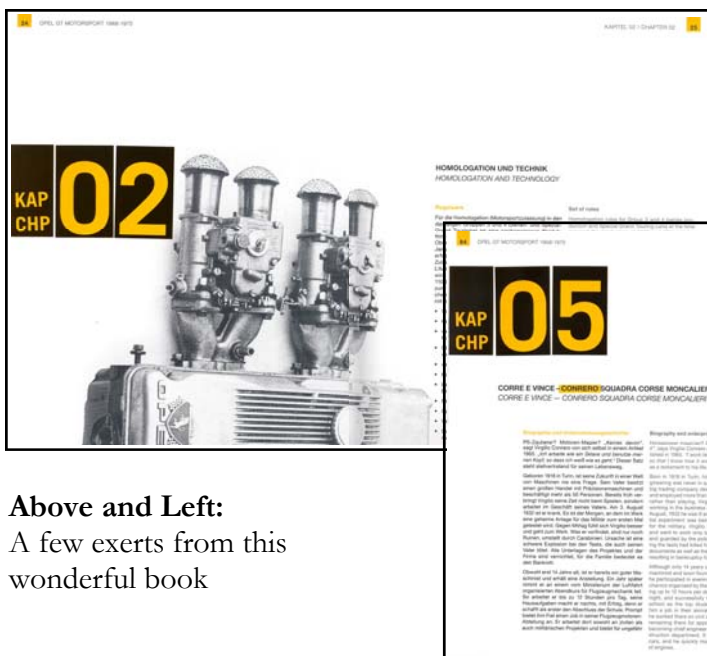
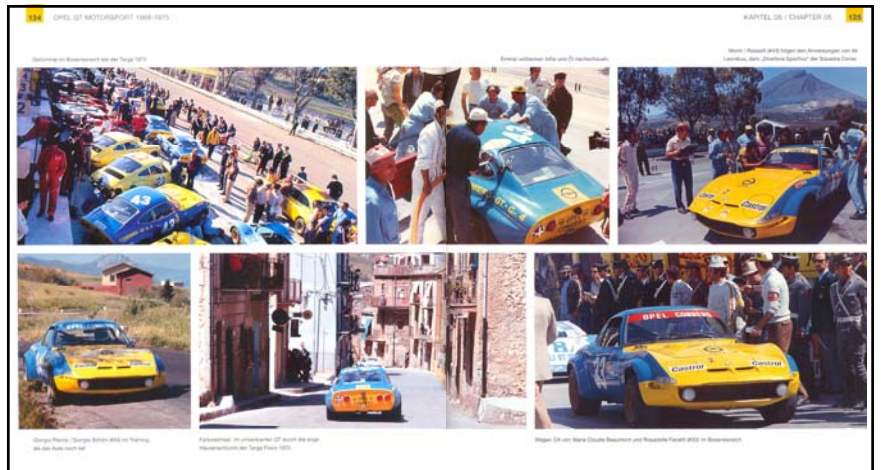
# OPEL GT MOTORSPORT BOOK

Looking for an in depth look into the history of the Opel GT in motor sports?  
Then this limited edition book will be a must have item for your library.

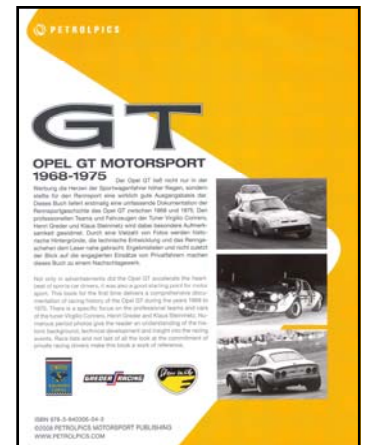
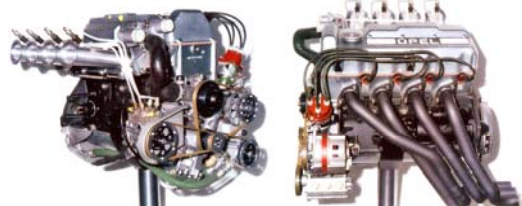
OPEL GT MOTORSPORT 1968-1975 Part # 14027



Not only in advertisements did the Opel GT accelerate the heart beat of sports car drivers, it was also a good starting point for motor sport. This book for the first time delivers a comprehensive documentation of racing history of the Opel GT during the years of 1968 to 1975. There is a specific focus on the professional teams and cars of the tuner Virgilio Conrero, Henri Greder and Klaus Steinmetz. Numerous period photos give the reader an understanding of the history background, technical development and insight into the racing events. Race lists and not last of all the look at the commitment of private racing drivers make this book a great work of reference.



Above and Left:  
A few excerpts from this wonderful book



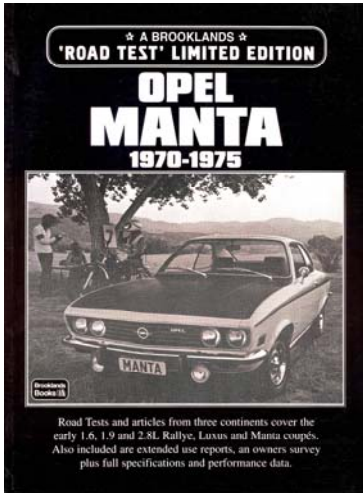
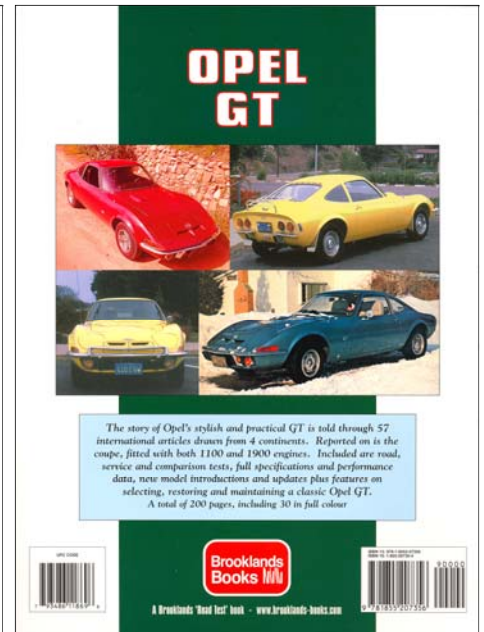
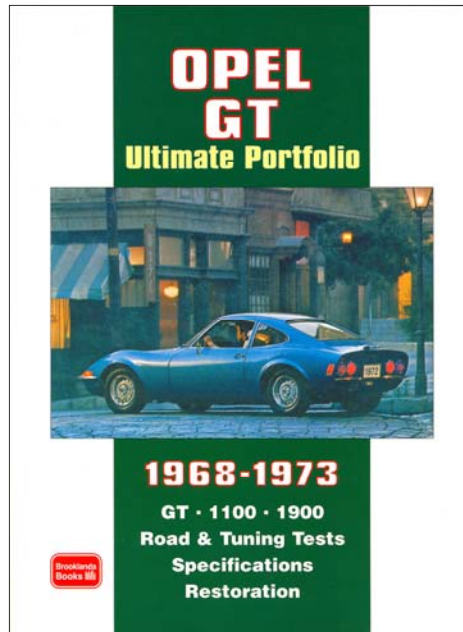


# Opel Books and Manuals

## Opel GT Ultimate Portfolio

Part # 14022U

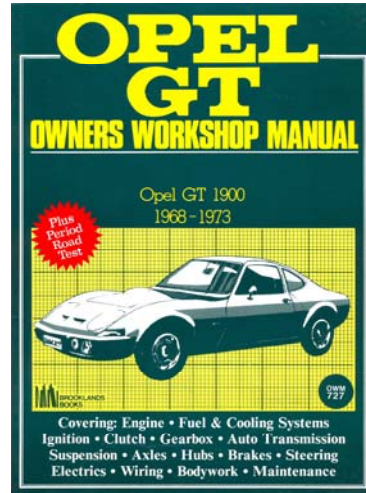
The story of Opel's stylish & practical GT is told through 57 international articles drawn from four continents. Reported on is the coupe, fitted with both 1.1 and 1.9L engines. Included are road, service and comparison tests, full specifications and performance data, new model updates plus features on selecting, restoring and maintaining a classic Opel GT. Includes original color ads. A total of 200 pages, including 30 in full color.



## Opel Manta 1970-1975, Limited Edition.

Part # 14024

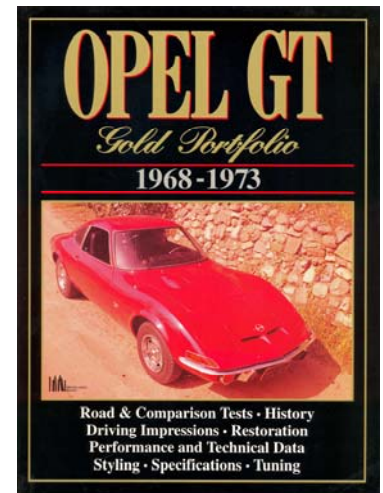
Includes the Rallye, Luxus, Berlinetta, Broadspeed & May Turbo Manta, the TE2800 and 1900, with period road tests. 92 pages.



## Opel GT Owners Workshop Repair Manual

Part # 14008

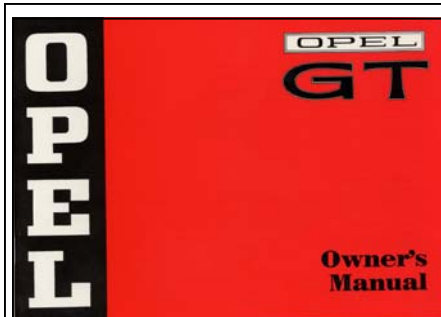
Good shop manual for: Engine, Fuel & Cooling systems, Transmission, Clutch, Brakes, Steering, Suspension & more. 134 pages.



## Opel GT Gold Portfolio

Part # 14022

Covers the GT's history, concept and show car, the J. Edgar Car & Driver Opel, Steinmetz & Racer cars, Aero, V8 GT, road tests, & the Manta, Kadett & Wagon. 172 pages.

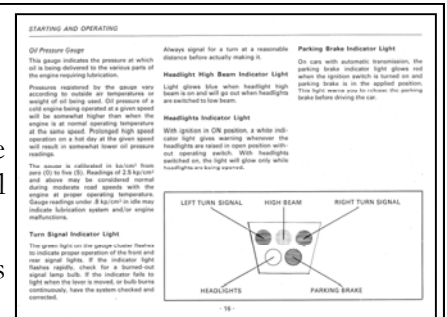


## Opel GT Owners Manual

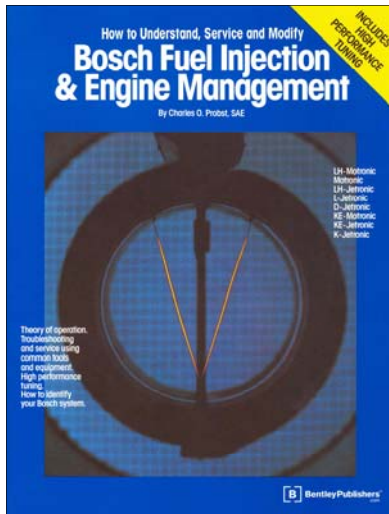
Part # 14009

Original Opel reprint of the Opel GT glove box manual. Covers the 1968 - 73 US model Opel GT. Based on the 1971 Opel GT manual.

65 pages covering the Opel GT's basic functions along with technical information & illustrations.



# BOOKS, KEY CHAIN and MODEL KIT



## Bosch Fuel Injection and Engine Management Part # 14018

Covering the operation, troubleshooting, repair and servicing of both the Bosch L-Jetronic and Motronic fuel injection systems used by Opel.

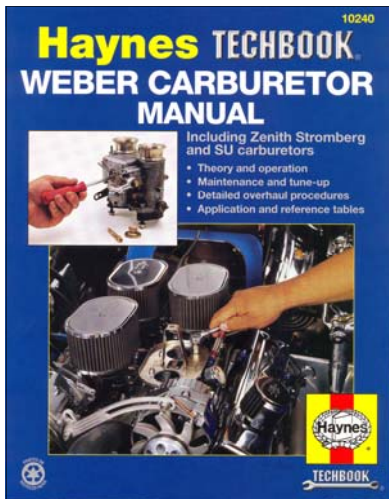
A must have item to learn and understand your Opels fuel injection system. Over 220 pages.



## Weber Tuning Manual Part # 14026

Looking for a manual that will help you with tuning your single or dual Weber DCOE side draft carburetors? Then this manual is just what you need.

92 pages with illustrations, jetting charts and graphs.



## Weber Carburetor Manual Part # 14019

This comprehensive manual written with the do-it-yourself car owner in mind. This manual discusses the operation, maintenance, overhaul and tuning of the DGV Series, 38 & DCOE Weber carburetors.

Over 350 informative pages with illustrations & graphs.



## GT Key Chain, Silver Plated

Part # 12021

Silver Plated key chain with spring loaded clasp for your keys. Comes in a display worthy glass tube.

Skill	Age	Time	Paint	Photo
3	12+	✓	✓	✓
2	10+	✓	✓	✓
1	8+	✗	✗	✗

## Opel GT 1:24th scale Model Kit

OPEL  
GT  
SOURCE  
Exclusive



## Opel GT Model 1:25th. Scale Plastic Model kit. Part # 12075

This is an exclusive re-issue of the original AMT kit, originally from the early 70's. If you have always wanted one when you were a kid or would like to build one for yourself, this is your chance to buy or build one. 4 in 1 kit. Build it Stock, Rallye, V6 Drag Racer or Customize yours with accessories included.

# MORE NEW ITEM SECTION

("Classic" Number Index Format)



**1972 Opel GT with the 2008 New Opel GT in Palms Springs, CA**

**Opel Kadett model 31 with Steinmetz flares, part # 15003**



Interior      **Important Note: all parts listed are for GT unless otherwise specified.**

- 1008B      Visor hinge, black plastic reproduction.
- 1023      Dash cap. Form-fitted ABS plastic, black. Covers tops and front of dash pad. Excellent for hiding cracks.
- 1025      Vinyl stitched dash cover. Covers entire dash pad, specify color. Must be stretched and glued into place with dash pad removed from car. Note: Dash cracks must be smoothed and filled before installation.
- 1032      Vinyl stitched center console cover. Specify black, red or tan.
- 11030      Heater control plate, Metal reproduction, Very high quality. A must for any GT.

Body, Windows and Doors

- 2030      Floor plug, round rubber floor drain plug. 8 req.
- 2031      Door handle gaskets. Set of 4.
- 2034      Mirror gasket, plastic.
- 2038      Door weatherstripping, GT upper. available in black, white or tan. (2 req. per car) After market.
- 2039      Door weatherstripping, GT lower. available in black, white or tan. (2 req. per car) After market.
- 2040      Window locking strip. BLACK. Replaces chrome insert pn 2010. 22 foot roll for GT f/r windows.
- 2041      Ring, door lock on door panel. plastic.
- 2042      Bushings, GT hood latch pivots (set of 2).
- 2222      Door weatherstripping, 24 feet uncut (you cut you save \$). available in black, white or tan. After market.
- 11024      Gasket, Heater box tubes to chassis. Rubber.

Suspension

- 3022      Spring eye bushings for stock front leaf spring. Polyurethane. Set of 2 with sleeves.
- 3047      Washer, lower control arm to suspension cross member mounting bolt.
- 3048      Upper Front Shock Mount, replaces rusted front upper shock support. Must be welded into place.
- 3049      Polyurethane Bushings for original rear sway bar end links. Set of 4.
- 3050      Polyurethane Bushings for rear panhard rod. Set of 2.
- 3054      KYB Low Pressure Gas Shocks, Front. GT. Great for street and winding roads. (Shim kit required \$15.00)
- 3055      KYB Low Pressure Gas Shocks, Rear. GT.      "      "      "      "      "      "
- 3056      KYB High Pressure Gas Shocks, Rear. GT. Sport driving application.
- 3057      Dust boot seal, seals pinion shaft to rack housing, rubber.
- 3058      Dust boot seal, steering shaft to firewall, rubber.
- 3059      Metal inner sleeves for polyurethane upper and lower control arm bushings (P/N 3027). Set of 8.
- 3061      Teflon grease, waterproof. Stops polyurethane from squeaking. Individually packaged.
- 3062      Sport Front Spring, Intermediate. Lowers car 1 inch. Improves overall appearance and handling of your GT without sacrificing ride quality. Perfect for hot street applications.
- 3064      Kit. Rack & Pinion boots, includes 2 boots, 4 clamps & grease.

TECH TIP: Front End Alignment Specifications.				
Model	Caster	Camber	Toe-In Min-Max	Outer wheel when inner wheel at 20 deg
Manta/1900	3-1/2deg +- 1deg	-1 deg +- 1/2 deg	1/8"-3/16"	19-1/4 deg
Opel GT	3 deg + or - 1 deg	1 deg + or - 1/2 deg	1/32"-1/8"	18-1/2 deg
Kadett	2 deg + or - 1 deg	1 deg + or - 1/2 deg	1/32"-1/8"	18-1/2 deg

- 3065      1.1L Kadett outer tie rod ends
- 3066      Dust boot, upper or lower ball joint, polyurethane (4 req. per car).
- 3067      Dust boot, outer tie rod, polyurethane (2 req. per car).
  
- 3070      Metal bushing, passenger side rack & pinion outer bushing. Common wear item.
- 3071      Wheel bearing dust cap cover, for front wheel bearings.
- 3080      Rubber upper control arm bushing with sleeves. German original bushings. GT or Kadett.
- 3081      Rubber lower control arm bushing with sleeves. German original bushings. GT or Kadett.
- 3333      Kit, dust boots. includes 4 ball joint boots & 2 tie rod boots. polyurethane.

TECH TIP: Cleaning and relubricating the rack and pinion assembly, ball joints and tie rods greatly reduces the steering effort required to steer your Opel by up to 40% or better.

## Brakes

- 4003SP Ventilated Front Big Brake Kit, Less expensive version but same high quality and performance as P/N4003.
- 4033 Caliper rebuild kit, Kadett and GT 1.1L, 45 mm.
- 4034 Front caliper brake hardware, 1975 big brakes.
- 4036 Caliper, 71-74 Manta/1900. Rebuilt. Loaded with pads and hardware. Specify right or left. Core required.
- 4037 Power Brake Booster. Rebuilt. GT, core required.
- 4038 Master cylinder with attached reservoir, Manta/1900. 1973-75 replacement. With out brake failure switch.
- 4039 Brake Caliper rebuild kit, 1975 big brakes.
- 4040 GT, Kadett & 71-72 Manta/1900 master cylinder rebuild kit. Seals and check valve only.
- 4041 Brake Booster Hose, Aftermkt. Special vacuum hose, less expensive than the original brake booster hose.
- 4042 Caliper, 1975 big brake, rebuilt. Loaded with pads and hardware, specify left or right. Core required.
- 4043 GT 1.1L Rear brake shoes.
- 4044 Brake hose, steel braided with fittings and adaptors GT for big brake package. Set of 3. Front/Rear.
- 4050 GT brake tubing set. Complete set of "non-preformed" metal brake tubing.
- 4051 Manta/1900 front brake hose (2 Req.).
- 4052 1.1L Caliper rebuild kit for 1965-1967 Kadett. 44mm caliper bore.
- 4053 Booster valve, one way valve for vacuum booster hose.
- 4054 1.1L Brake pads, 1965-1968 Kadett.
- 4055 1.1L rear drums, Kadett, GT 1100.
- 4056 1.1L rear brake hardware. Kadett, GT 1100.
- 4057 1.1L front brake hardware 1965-1968 Kadett.
- 4058 1.1L rear wheel cylinder. Kadett, GT 1100.
- 4060 Shims, 1968-1974 front brake pad shims (set of 4)
- 15056 Master Cylinder, Kadett 1.1L. Manual brake, 4 wheel drum.
- 15063 Kadett front wheel cylinder rebuild kit. front drum brakes.

**TECH TIP:** Rebuilding front brake calipers.  
**NOTE:** Never split the caliper halves when you rebuild the brake calipers. The reason is that you can not get the small "O" ring seals that go between them. You don't want a leak!

### **TECH TIP:** Typical brake problems and solutions.

After 30 years of being on the road the rubber parts in the brake system have become hard and the rubber brake hoses swell internally and restrict the flow of brake fluid to the calipers and wheel cylinders. The plugged hoses can cause poor braking or even a pulling problem. The brake hoses are p/n 4021 and make a big difference for a small investment. Always bleed the brakes from the furthest wheel from the master cylinder to the nearest. If you replace a master cylinder, bleed the m/c before bleeding the wheels.

## Lenses and Electrical

- 5001 Dome lens, GT or Kadett. High quality Reproduction.
- 5004R Sidemarker, Right rear GT sidemarker reproduction. Brackets required from your old sidemarker.
- 5004L Sidemarker, Left rear GT sidemarker reproduction. Brackets required from your old sidemarker.
- 5022-65 Alternator, Bosch. High output 65 amp. core required.
- 5022-IR Alternator, 45 amp internally regulated.
- 5045 Back up light for LT02 rear tail skirt.
- 5046 Porsche driving lights for RS02/A front spoiler. Sold as a pair.
- 5049 Microswitch, for headlight mechanisms. Activates headlight relay to turn headlights on or off.
- 5051 High output Bosch ignition coil.
- 5052 GT Oil Temperature and Voltmeter gauge. Replaces the clock. Special order item.
- 5054 Oil Temperature Sending Unit for oil temperature gauge P/N 5052.
- 5055 Ground wire, alternator to bracket.
- 5060 Ignition contact switch repair service. We will have your contact switch rebuilt or exchanged. Exchange req
- 5061 Relay. GT, NEW, replacement headlight relay. Fits into existing GT headlight relay can.
- 5062 Antenna for GT or Manta. OEM German Hirschman telescoping antenna with key.

## Engine

- 6084 Plug, Lifter galley in cylinder head. 4 req.
- 6085 Dowel pin, block to head alignment.
- 6086 Plug, 13mm dipstick hole.
- 6088 Bolt with serrated 8mm head, intake manifold to exhaust manifold. 4 req.
- 6089 Seal, special performance cup type valve seal 1.9L-2.4L intake valve.
- 6099 Seal, "O" ring valve seal, square cut. Late model exhaust valve seal.
- 6100 Cam bolt, camshaft to upper timing gear attaching bolt 1.9L-2.4L.
- 6101 Flywheel bolt, 2.4L only.
- 6102 Front pulley bolt, 2.0L-2.4L
- 6103 Front pulley washer, 2.0L-2.4L.
- 6104 Key way on front crankshaft for front pulley and timing gears.
- 6108 1.1L Main bearings. Specify size: STD, .25mm, .50mm, .75mm.
- 6109 1.1L Rod bearings. Specify size: .25mm, .50mm.
- 6110 1.1L Intake valve.
- 6111 1.1L Exhaust valve.
- 6112 1.1L Valve keepers.
  
- 6113 1.1L Cam bearings, STD.
- 6114 1.1L Exhaust flange gasket.
- 6125 1.1L chain tensioner block. Aftermarket.
- 6145 1.1L Intake gasket
- 6146 1.1L exhaust manifold gasket.
- 6149 1.1L bottom end gasket set.
- 6157 1.1L Piston ring set for 4 pistons.
- 6118 Timing chain rail, long with hardware. 1.5L - 2.4L
- 6119 Timing chain rail, short upper. 1.5L - 2.4L
- 6120 Tensioner arm for hydraulic tensioner. 1.5L - 2.4L
- 6121 Solid Lifter, 1.9L-2.4L. Less expensive "NEW" solid lifter. After market.
- 6127 Hydraulic tensioner for 1.5L-2.4L timing chain.
  
- 6131 Front pulley sleeve, repair kit. Helps prevent serious oil leaks caused by a grooved pulley shaft.
- 6132 2.0L pistons. STD size. Includes rings and pins. build your 1900 into a 2.0L. Set of 4.
- 6133 1.5L pistons. Specify Std, .020" or .030" OS. set of 4.
- 6134 Points, 1975, for FI distributor.
- 6135 Screw with washer, for cam covers.
- 6136 2.0L head gasket. European after market gasket, less expensive than factory gasket #6188.
- 6137 Thermostat housing gasket, 2.2L - 2.4L cylinder head.
- 6138 Intake / exhaust gasket, 2.2L - 2.4L cylinder head.
- 6140 2.0L STD. piston rings. set of 4
- 6142 2.2L STD. piston rings. set of 4.
- 6147 2.2L - 2.4L Head gasket set.
- 6148 2.2L - 2.4L Full gasket set.
- 6150 Bolt, 1972-1994 front cylinder head to timing cover. 2 required.
  
- 6152 Spark plug wire router. CIH Original Opel part.
- 6153 Gasket, oil pick up tube. 1.9L-2.4L
- 6156 Seals, valve stem seals set of 8 for 1.9L and 2.0L CIH. Less expensive than original Opel stem seals.

**TECH INFO:** Unleaded fuel. Opel cylinder heads were not designed to run on unleaded fuel. Use a lead substitute with each tank full. If you ever remove the cylinder head, have your machine shop install hard exhaust valve seats.

**TECH INFO:** Warning, early 12 bolt 1.9L heads. Late 1972 through 1975 cylinder heads have a problem with cracking #2 & #3 cylinder exhaust seats when the head is over heated.

**TECH TIP:** 1.9L Valve adjustment:  
Solid Lifters: .012" intake & exhaust (hot)  
Hydraulic Lifters: set 0 valve lash at TDC and then adjust 3/4 turn in 1/4 turn increments while engine is running.  
**NOTE:** If the lifters are new and there is no oil inside the lifter, you can adjust to 3/4 of a turn with out the engine running.

**TECH TIP:** Engine tune up specs for 1.9L-2.4L CIH  
Engine Firing order: 1-3-4-2 (cylinder #1 is in the very front of the engine block).  
Spark plug gap .030", Points Dwell angle 50 degrees +or- 2 deg. Point gap .017"-.018".  
Timing is set to TDC with both distributor vacuum lines disconnected and plugged.  
To check compression, remove all spark plugs, have throttle fully open and connect a battery charger to help the engine crank faster. Minimum good compression is 136 PSI

## Motor Mounts and Rear Axle

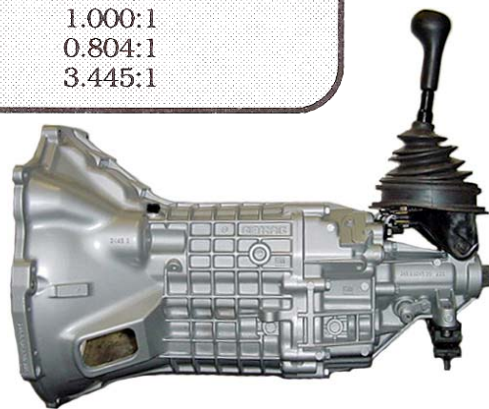
- 7029 Lug nut, original wheel lug nut, chrome acorn.  
7030 U-Joint, 1.1L.  
  
7032 Axle backing plate, 1971-75. Flat metal plate.  
7033 "O" ring axle seal, 1.1L rear axle wheel bearing.  
7034 U-Joint, 1.9L GT, Manta/1900, 1.9L Kadett. Must be installed with plastic injection process.  
8048 Mount, Getrag 5 speed, early Manta/1900 Automatic.

## Clutch and Transmission

- 8014/5 Speedometer Cable, GT with Getrag 5 speed. Custom made.  
8046 Bushing, shifter shaft bronze bushing, 4 speed. (helps tighten up sloppy worn out linkage)  
8047 Shifter knob, 4 speed, original Opel part.  
8048 Getrag 5 speed transmission mount, early Manta/1900 Automatic.  
8049 Bolt with lock washer, pressure plate to flywheel. Allen head cap screw (grade 10.9).  
8050 Seal, front transmission to torque convertor. Automatic.  
8051 Seal, rear transmission to driveshaft. Automatic.  
8052 "O" ring seal, automatic transmission dipstick.  
8054 Driveshaft for 5 speed Getrag. GT.  
8055 Driveshaft for 5 speed Getrag. Manta/1900.  
8056 NEW clutch disk. Excellent performance clutch.  
8057 Clutch alignment tool. Geared plastic.  
8058 Getrag 5 speed Rear Seal.  
8059 Getrag 5 speed thrust spring, driveshaft to transmission.  
8060 Getrag 5 speed front seal.  
8061 Bushing, 4sp. rear to driveshaft.  
8062 Synchro, 4 speed 1-2 on 1968-75 1.9L  
8063 Synchro, 4 speed 3-4 on 1968-75 1.9L  
8064 Gear, speedometer inner drive on trans output shaft. with 2 clips. 4 & 5 speed.  
8068 Getrag 5 speed dust shield, to bell housing.  
8069 Seal, Automatic shifter shaft.  
8070 8.5" clutch and pressure plate for 2.0L motor and flywheel.  
8071 GT Automatic detent cable, (kick down cable). Reproduction.  
8072 NEW German 8" clutch kit, includes: Pressure plate, clutch disk, release bearing and pilot bearing  
5SPLINK Modification to stock 5 speed linkage to fit into GT.  
5SPBRKT Modified transmission mount bracket for GT 5 speed installation.

### TECH INFO: 1.9L 4 speed Gear Ratios Compared to Getrag 5 speed Gear Ratios.

	4 speed	5 speed
1st Gear	3.428:1	3.717:1
2nd Gear	2.156:1	2.019:1
3rd Gear	1.366:1	1.316:1
4th Gear	1.000:1	1.000:1
5th Gear	xxxxxx	0.804:1
Reverse Gear	3.317:1	3.445:1



## Fuel System

- 9032 Air filter element, rectangular, Weber 1-1/2". Washable.
- 9033 Air filter element, rectangular, Weber 2-1/2". Washable.
- 9035 Gaskets, Weber DGAS base mounting gaskets. Contains two thin gaskets and one spacer plate gasket.
- 9036 Accelerator pump diaphragm, Weber DGV and DGAS. Square.
- 9037 Tubing, gas tank vapor lines. Tech tip included.
- 9038 Weber 32/36 float, brass.
- 9040 Fuel spacer, steel. 12 feet of hose.
- 9041 Fuel pump block-off plate, steel. Needed when converting to electric fuel pump.
- 9042 Fuel filter, after market, plastic. 68-72.
- 9043 Gasket, Fuel tank sending unit.
- 9044 Fuel tank sender unit, GT. New.
- 9045 Gasket, float bowl, Weber 32/36 & 38 DGAS.
- 9046 1.1L fuel pump.
- 9047 Seal, GT Gas Cap, rubber. also works for valve cover oil cap seal.
- 9048 2.2L- 2.4L dual side draft manifolds. (special order item.)
- 9049 Fuel line and fittings for GT gas tank line. Metal fuel tank line.
- 9051 Choke cut off diaphragm, Weber 32/36 DGAV, DGEV, 38 DGAS, DGES.
- 9061 GT filler neck hose. Hose between the gas tank and the filler neck.

## Exhaust System

- 10016 Gasket, 2.0L-2.4L exhaust flange. LT2400 header flange gasket.
- 10017 Resonator Bump Stop Bushing.
- 10018 Front Muffler Hanger Bracket.
- 10019 Gasket, 2.0L exhaust flange for English FI exhaust manifold.
- 10020 Ansa exhaust tips, 2" (2 Req.) Build your own custom resonator!

## Cooling System

- 11003 Hose, 90 degree curved heater hose. Thermostat housing to heater valve.
- 11005-180 Thermostat, 180 degrees.
- 11019 1.1L thermostat.
- 11020 Radiator cap, after market.
- 11021 Water nipple, for FI block heater hose connection, located at lower passenger rear of block.
- 11022 Thermostat for FI. Specify 160 deg., 180 deg., or 195 deg.
- 11024 Gasket, Heater box tubes to chassis. Rubber.
- 11030 Heater control plate, Metal reproduction, Very high quality. A must for any GT. Made out of aluminum.
- 6137 Thermostat housing gasket, 2.2L - 2.4L cylinder head.

## Parts for Manta, 1900, & Kadett

- 15054 Fuel filter, 75 fuel injection. Between fuel pump and fuel injection.
- 15056 Master Cylinder, Kadett 1.1L. Manual brake, 4 wheel drum.
- 15057 Manta trunk rubber.
- 15058 Manta/1900 polyurethane control arm bushings. Improves front suspension stability. easy installation into control arms. Set of all 6 control arm bushings. Works great with rear polyurethane sport bushings (3025).
  
- 15060 '71-'74 Manta throttle cable. Carbureted, 2BBL.
  
- 15062 Manta inner tie rod.
- 15064 Manta steering shaft coupler. Late model.
- 15067 1.1L Kadett clutch cable, specify ball or stirrup end on pedal connection side.
- 15070 Muffler rubber hanger donut for Manta/1900.
- 15071 Manta/1900 Rack & Pinion dust boot kit. Includes 2 boots, 4 clamps and grease.
- 15072 Pedal rubber, Manta/1900 4 speed brake or clutch pedal rubber.
- 14024 Manta Limited Edition, 1971-75 The Original Magazine Articles and test reports compiled under one cover. Lots of important information. A must for any Opel Manta Enthusiast.



## European Fuel Injection

- 16001 2.0L-2.4L Jetronic Fuel Injection filter adaptor, GT. For between air flow meter and air filter. Can be modified for use on 1.9L Fuel Injected Engines.
- 16002 K&N air filter for adaptor (16001), fuel injection. GT.
- 16003 Bracket, throttle cable mounting. For mounting fuel injection or dual sidedraft carburetors onto a GT.
- 16004 Gasket, fuel injection cold start valve. 1.9L, 2.0L, 2.0LE.
- 16005 Gasket, throttle body to intake manifold. Specify model.
- 16006 Gasket, injector plate to intake manifold. 1.9L-2.4L
- 16007 Gasket, thermostat housing to head. 1.9L-2.0L
- 16008 Hangers, rubber for electric fuel pump.
- 16009 2.0LE Fuel Injection system, complete. USED untested, unmodified. Includes: Manifold assy. with throttle body, injectors, pressure regulator, cold start valve, thermostat housing with senders, wiring harness, computer box, air flow meter and hose, fuel pump relay and schematic for wiring. Can be installed on 1.9L.
- 
- 16013 Bypass hose for original 2.2-2.4 thermostat to water pump.
- 16014 Throttle cable for 2.0LE Jetronic fuel injection.
- 
- 16016 Throttle spring, 2.0 Inj. Inner.
- 16017 Throttle spring, 2.0 Inj. Outer.
- 16018 Thermostat "O" ring, 2.2L - 2.4L
- 16019 Radiator hose, 2.0L Inj. Upper.
- 16020 Radiator hose, 2.0L Inj. Lower.
- 16021 Fuel filter hold down clamp, Fuel injection high pressure fuel filter to pump bracket.
- 16022 Electric fuel pump, 2.0L - 2.4L fuel injection.
- 16023 Fuel pressure regulator, 2.0L - 2.2L FI system.
- 6137 Thermostat housing gasket, 2.2L - 2.4L cylinder head.
- 6138 Intake / exhaust gasket, 2.2L - 2.4L cylinder head.
- 15054 Fuel filter, fuel injection. Between fuel pump and fuel injection. for 1.9L-2.4L FI.



# ABOUT OPEL GT SOURCE

## Dear Opel Owner

Thank you for your interest in our Opel parts and performance catalog. This business was created 1987 by Opel enthusiasts like yourself, who believe that there was and is a strong need for quality parts and reliable technical support for Opels. As General Motors, Buick, and even the local auto parts stores seem to have abandoned us, you can sleep well knowing that your parts are just a Toll-Free '800' phone call away. We have one of the most complete and organized inventories of new and used Opel parts in the country. We have one of the best reputations for delivering what we promise, feel free to ask any of our customers. We are here for the long term, we own our own facility, we do not require you to join a club to get our everyday low prices. We pride our selves on being the type of business you can trust and count on! We want to earn your business and have you become a repeat customer. Opel GT Source is fully computerized to help speed up the time it takes to place an order. We have a web site that includes an online store that you can order from world wide, 24 hours a day, 7 days a week! Our parts pricing is put into writing, so no guessing is required to determine what it will cost to repair or restore your Opel. We import parts from Europe as well as putting our own money back into remanufacturing NEW hard-to-find Opel parts that have been discontinued by the factory. Examples include our product lines of performance suspension systems, custom molded window rubbers, sturdy GT transmission shifter boots, bright new light lenses for the Opel GT, designer fiberglass body parts, interior parts and much more. Our reproduction items are of the highest quality and usually made from better materials than the original. All in all, our parts program should allow anyone owning an Opel GT to repair, restore, or restyle their GT without having to worry about parts availability. **We want to be YOUR SOURCE for all your Opel parts & accessories!**

We make every effort to ship your order out the same day, thus allowing you to fix your car with the least amount of delay. Our shipping charges are some of the lowest in the mail order business. We encourage you to compare our prices, quality and service with anyone in the business, and we're sure that you will agree that Opel GT Source is your best SOURCE for Opel parts. Accept no substitutes!

The Opel GTs timeless styling can be used to your advantage. The original styling is better than anything I've seen on the road lately. This makes restoring or uniquely modifying your GT more desirable than purchasing a new car. Most all new cars seem to be made from the same cookie-cutter pattern, while the GT stands alone in styling. A properly restored or modified GT is something that you can be proud of. It will appreciate as well as being appreciated, unlike most newer cars.

For less than the cost of a new Honda, you can make your GT get the same head turning attention as cars such as Ferrari, Lamborghini, Viper, etc. and since there are so few GTs out there, you will never have to worry about parking next to yourself.

Many Opel owners have stated at one time or another that they never intend to sell their Opel. But few take the time to get all they can out of their car in terms of performance, handling, overall appearance, or even things as simple as wheels and tires. If you are one of those who plans to keep their Opel forever, what's holding you back from making your Opel everything you want it to be?

All products carried by Opel GT Source are specifically for Opels. Parts listed in this catalog are new or new reproduction, unless marked used, rebuilt or remanufactured. This catalog is not representative of all parts available from us. **We also have a large selection of hard to find parts both new and used for the Opel GT. Manta A. 1900/Ascona A and Kadett B. Please call for price and availability.**

Choose your parts wisely when ordering. **Returns are for STORE CREDIT ONLY!**

Maintaining the Opel GT marquee into the new millennium, **Gil Wesson**

<b>Mailing:</b>	<b>OPEL GT SOURCE</b> P.O. BOX 4004 SONORA, CA 95370	<b>Shipping UPS/Fed-Ex:</b>	<b>OPEL GT SOURCE</b> 18211 ZENI LANE TUOLUMNE, CA 95379
<b>Information &amp; Technical Help:</b>	<b>1-209-928-1110</b>	<b>E Mail:</b>	<b>OpelGTS@OpelGTSource.com</b>
<b>USA Toll Free Order Line:</b>	<b>1-800-673-5487</b>	<b>Web Site:</b>	<b>www.opelgtsource.com</b>
<b>Fax:</b>	<b>1-209-928-3298</b>	<b>International:</b>	<b>001-209-928-1110</b>
<b><u>BUSINESS HOURS:</u></b>			
Monday thru Friday 8:00 a.m. to 5 p.m. Pacific Time Zone "Closed Saturday, Sunday & major Holidays"			
<b>We accept Visa, Master Card, American Express and Discover Cards.</b>			

The names "Opel", "Opel GT", "Manta", "Kadett", "Bosch", "Hella", etc. are used only to describe the vehicles and parts are listed to fit, and in no way indicates or implies any connection with Adam Opel A.G., General Motors, or any company, except as a source of parts for our company.

# HOW TO ORDER

We have three convenient ways in which to place an order, by telephone, by Fax or by ordering through our online web site.



**Ordering by Telephone**, please have the item numbers ready for the Order Desk person and refer to the Telephone Order Hours for times and days to call are listed on page 2.



**Ordering by Mail or Fax**, please fill out the order form completely. Please include the part number, name of the item and any other information that pertains to the item/s being ordered. This would include: Year of your Opel, size of the engine, transmission type and model of Opel, if other than a GT. All this information is necessary properly fulfill your order. Using a credit card, print the numbers clearly and fill in all blanks correctly. Using a personal check, your order may be delayed up to three weeks to clear the bank. Credit card, Money Orders and Cashiers Checks ship immediately.



**Ordering through our Online Web Site**, and have used a credit card on a previous order with us and you wish to use the same credit card, write 'use card on file' in the online order form comments section. If you are ordering via the online web shop and have never ordered before using a credit card or wish to change the credit card being used, US and Canadian residents will be contacted by us via the telephone for the credit card details. If we can not directly contact you we will email you a heads-up message. If you have not heard from us for three days, we were probably not able to reach you by telephone and ask for you to call us immediately.

## Policies

### Shipping:

All In-Stock order items are shipped within 24 hours of completion of order. Most orders received before 12 noon California time ship the same day. Opel GT Source ships parcels by either the US Post Office and/or UPS (United Parcel Service).



**US Priority Mail:** A fast economical way to ship many items quickly coast to coast. US Priority Mail delivers on the average within 2 to 3 business days, including Saturday delivery to all US destinations including Alaska & Hawaii. All orders must be received and completed by 12 noon California time.



**UPS:** UPS offers Ground, 3 Day Select, 2 Day Air & Next day Air parcel delivery. All orders shipping via UPS must be received and completed by 12 noon California time to be shipped the same day. UPS delivers Monday thru Friday, except major Holidays. UPS requires a physical address. UPS can not deliver to a Post Office Box.

**Alaska & Hawaii:** Shipping methods include US Priority Mail and UPS Next Day Air & UPS 2 Day Air.

**C.O.D.s:** Collect on Deliver is not available.

**Back Orders:** All back orders will be shipped as soon as they become available.



### Payment Methods:

We accept: Visa, Master Card, American Express and Discover credit cards as well as Money Orders and personal checks.

Note: Personal checks will be cleared before order shipment. Check clearance may take up to three weeks time. Never send cash in the mail.

### Special Orders:

Special Order items require a 50% deposit in advance. The deposit is non-refundable if you decide to cancel a special order while in transit or at our warehouse. Some products must be shipped in from Europe and require a minimum of 6-8 weeks for delivery to the U.S.A.

## Return Policy

**All Sales Are Considered Final**, unless you receive a defective or wrong part. Please call and receive a verbal authorization before returning or exchanging any items before shipping to Opel GT Source. Returned parts must be received within 30 days, from the date of order, to Opel GT Source accompanied with an invoice. Returned items must be returned in their original packaging, unused or installed & must be returned in a resalable condition. Books, tools, electrical items and special order items are not returnable for a refund. Properly pack, ship and insure any returned item/s by UPS Ground prepaid. If due to our "goof", we will refund UPS Ground Shipping charges only.

**Defective Parts** must be returned to Opel GT Source for inspection prior to shipping the replacement part.

**Claims:** Claims for shortage or error in shipment must be made within three days of receipt of order shipment.

## Warranty

Opel GT Source guarantees your parts to be free from defects in materials and workmanship, only to the extent of the products value. We will be liable for their replacement or refund at our option. We do not guarantee parts used in competition, racing or off-road applications, or those damaged due to misuse, abuse, improper installation or miss-application. We accept no liability for down-time or loss of transportation due to defects or failures, nor to any labor costs required to remedy this situation. In no event shall our liability exceed the cost of the goods.

### All Parts Are Warranted For 30 Days From The Date Of Purchase, Unless Otherwise Specified.

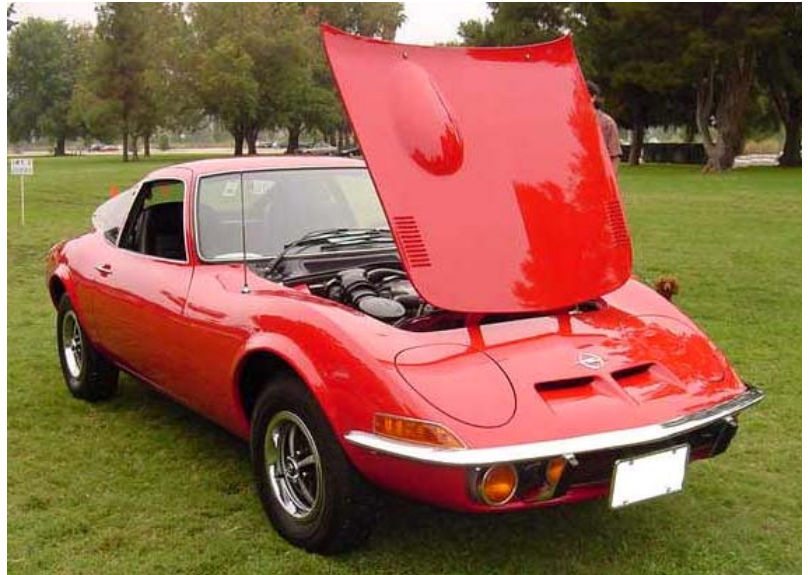
Claims are started by calling us for a 'Parts Return Authorization'. Items must be properly packed, insured and shipped prepaid UPS Ground, including a copy of your invoice proof of date of purchase. We will refund the UPS Ground cost of shipping if your part is determined to be defective. Some parts listed may not meet Emissions standards for your state.

**Parts Damaged by UPS:** If your parts arrive damaged by UPS, contact UPS at 1 (800) PICK-UPS (1-800-742-5877) to report the damage. UPS will do a damage report and will contact us for the claim. In some cases the damaged merchandise will need to be return to us prior to shipping the replacement part.

**PRICES IN THE CATALOG ARE SUBJECT TO CHANGE WITHOUT NOTICE.**

## Classic

“Art that you can drive”  
is the Opel GT



## Affordable

A historic sports car  
you can restore

## Memorable

*“My Opel GT makes  
me feel 17 again”*  
(said its driver to us)



## The Family Friend

Many an owner  
has stated that  
their Opel became a  
“part of the family”

